



OUTBACK

STEAKHOUSE

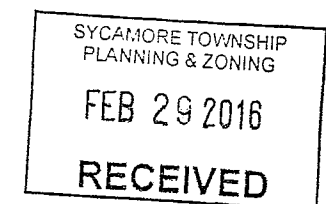
Store #3652

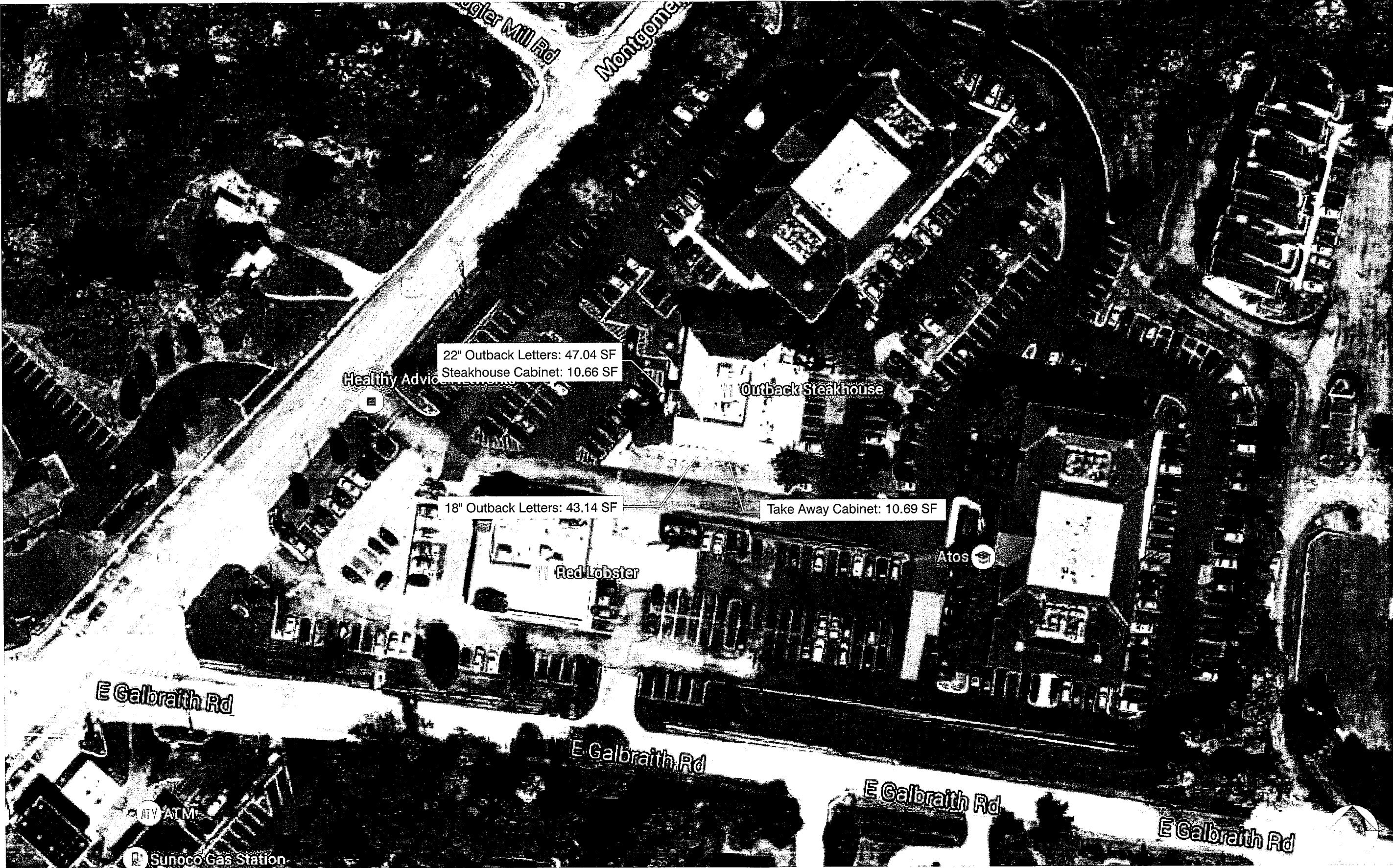
8240 Montgomery Rd.
Cincinnati, OH 45236

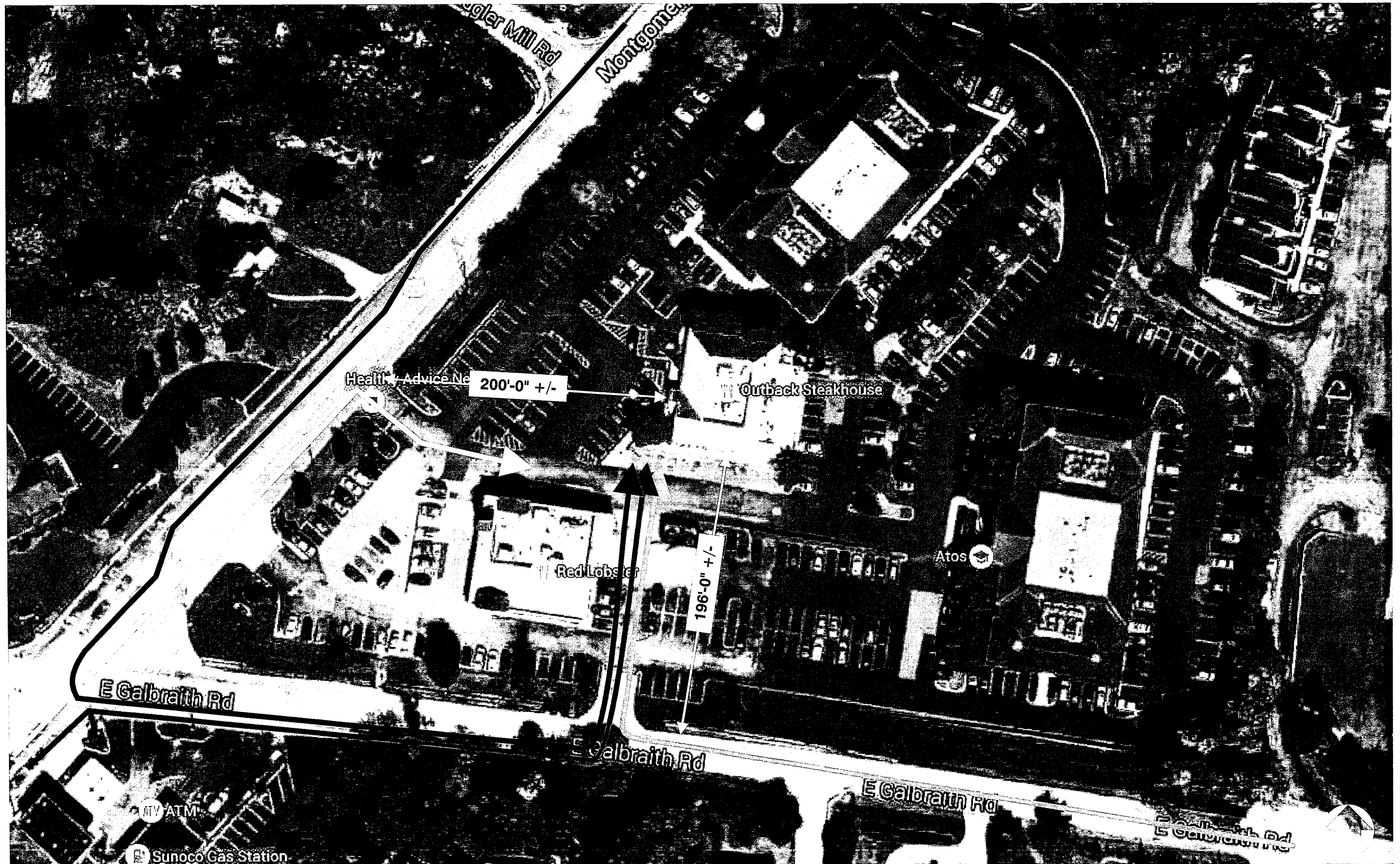
February 26, 2016 - Submittal



Ph: 1.800.599.7696
Fax: 1.574.237.6166
www.siteenhancementservices.com

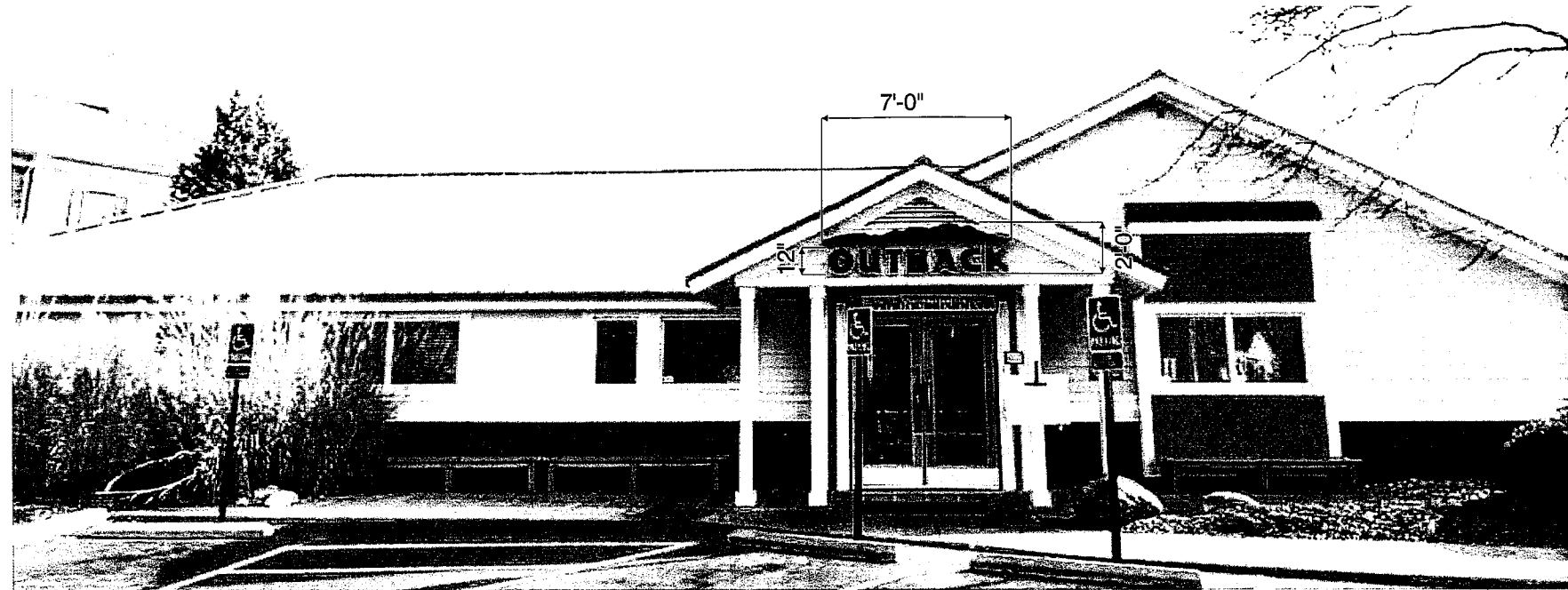




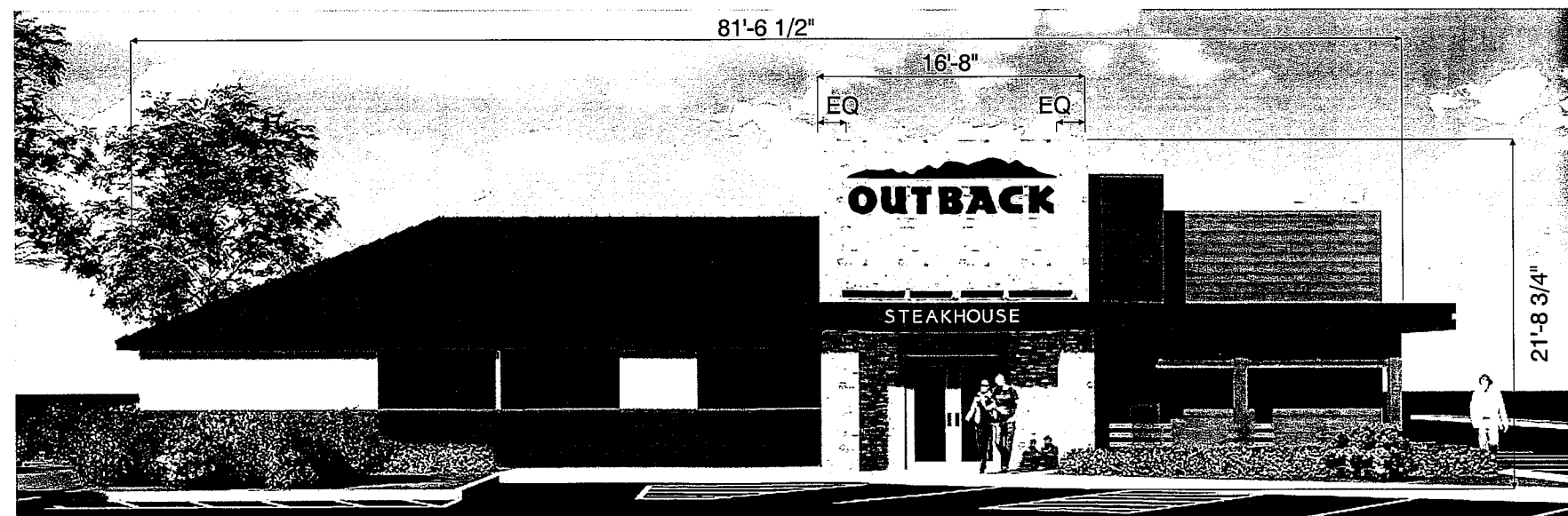




Existing:
12" Outback Letters: Approx 14 SF



Proposed:
22" Outback Letters: 47.04 SF (This sign occupies 2.6% of the facade.)
Steakhouse Cabinet: 10.66 SF (This sign occupies 0.6% of the facade.)



Facade: 21'-8 3/4" x 81'-6 1/2" = 1771 SF

Scale: 3/32" = 1'

Existing:

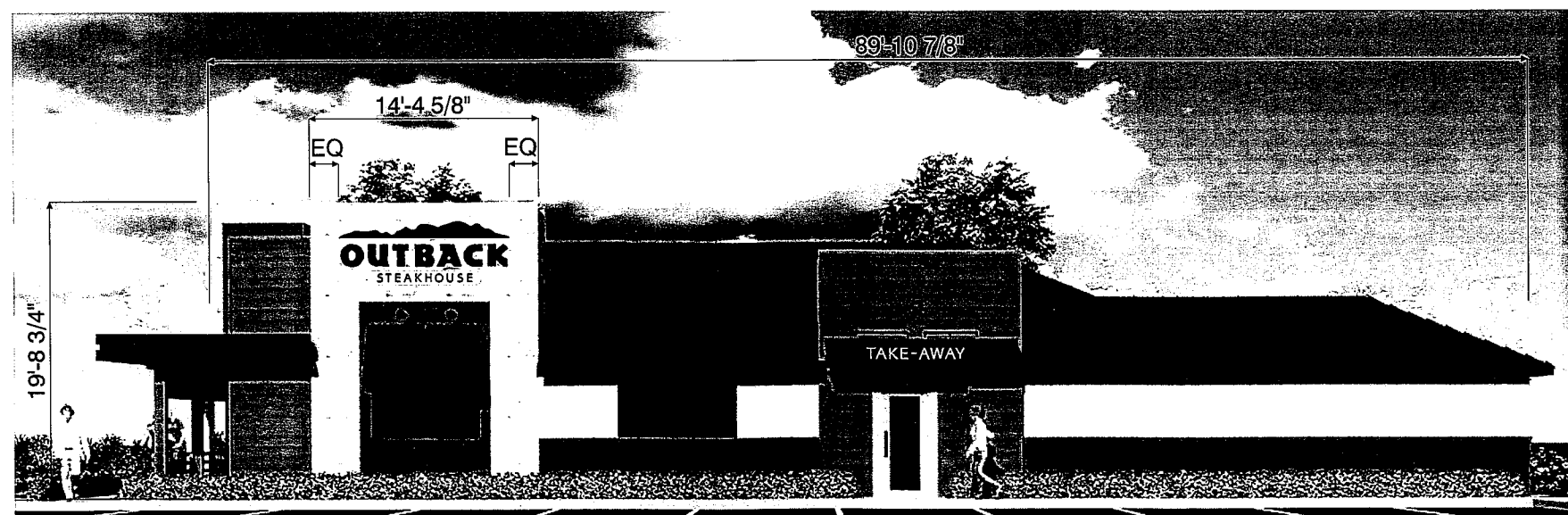
Take Away Cabinet: Approx 3.75 SF



Proposed:

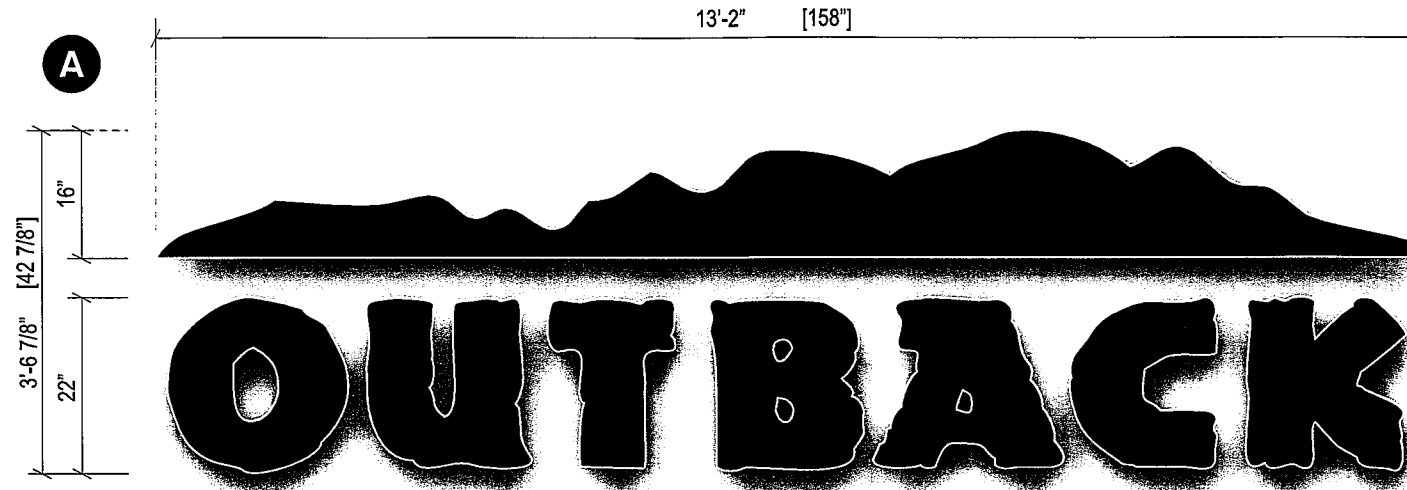
18" Outback Letters: 43.14 SF (This sign occupies 2.4% of the facade.)

Take Away Cabinet: 10.69 SF (This sign occupies 0.6% of the facade.)



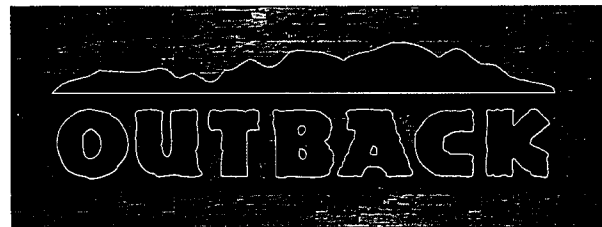
Facade: 19'-8 3/4" x 89'-10 7/8" = 1773 SF

Scale: 3/32"=1'



Sign Layout Detail

Scale: 1/2" = 1'-0"



Electrical Detail:

Ventex Venbrite Red LEDs
 (2) Ventex Power Supplies
 Total Amps: 1.0 amps
 (1) 20 amp 120V Circuit Required



LED Wire: 18 AWG PLTC with 14 AWG conductor ground wire. Each letter has an individual ground wire

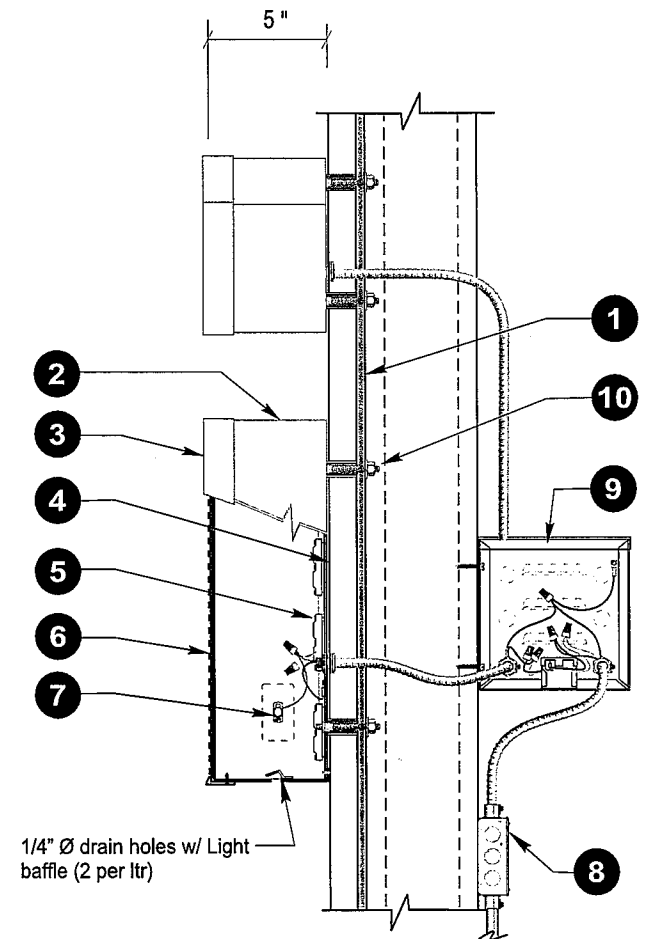
General Notes:

This sign is to be installed in accordance with the requirements of Article 600 of the National Electrical Code.

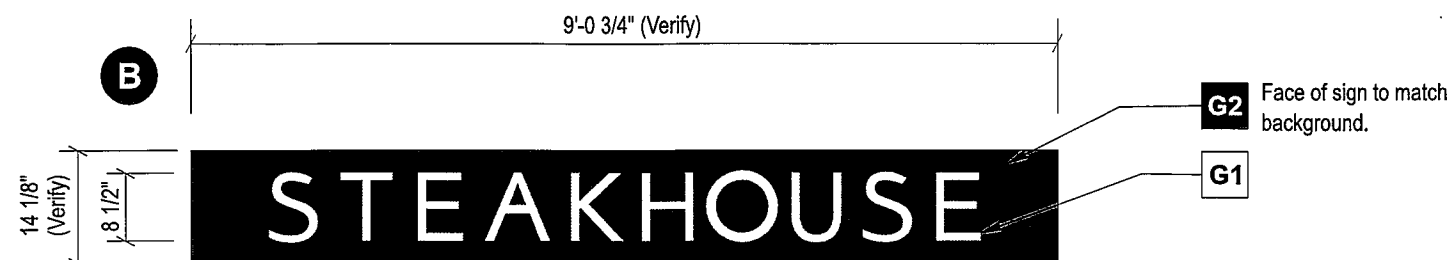
- 1) Grounded and bonded per NEC 600.7/NEC 250
- 2) Existing branch circuit in compliance with NEC 600.5, not to exceed 20 amps
- 3) Sign is to be UL listed per NEC 600.3
- 4) UL disconnect switch per NEC 600.6- required per sign component before leaving manufacturer*
 *For multiple signs, a disconnect is permitted but not required for each section

Specifications: LED Channel Letters / "Mountain"

1. Existing Facade: Stone Veneer / Plywood / Metal studs
2. 0.040" Aluminum letter returns painted BM-OC110 Off White
3. 1" Jewelite trimcap (ptd BM-OC110 Off White) bonded to face. #8 pan head screws to returns
4. 0.065" aluminum backs fastened to returns w/ 1/2" 18 gauge staples. Seal w/ VOC compliant 360 white latex caulk to prevent moisture penetration (interior of sign can painted ultra white for max illumination)
5. Red LED modules
6. 3/16" Plaskolite #2283 Red Acrylic w/ Black perforated (Day/night) vinyl on 1st surface
7. UL Outdoor rated toggle type disconnect switch w/ neoprene boot
8. Primary electrical feed in UL conduit / customer supplied UL junction box
9. Advance Xitanium Power Supplies within UL enclosure (removeable lid)
10. Mounting hardware; Riv-Nuts with 3/8" grade A307 low carbon zinc threaded rod w/ 3/8" grade 2 nuts/ washers



Section thru LED Signage Front-Lit
 Scale: N.T.S.



Sign Layout Detail

Scale: 1/2" = 1'-0"

Measurements will vary per location

GRAPHIC COLORS	
G1	G2
7328 White acrylic	Sherwin Williams 6076 Turkish Coffee

Electrical Detail:

White LEDs
 (1) 60w Transformers
 Total Amps: 0.85
 (1) 20 amp 120V Circuit Req.



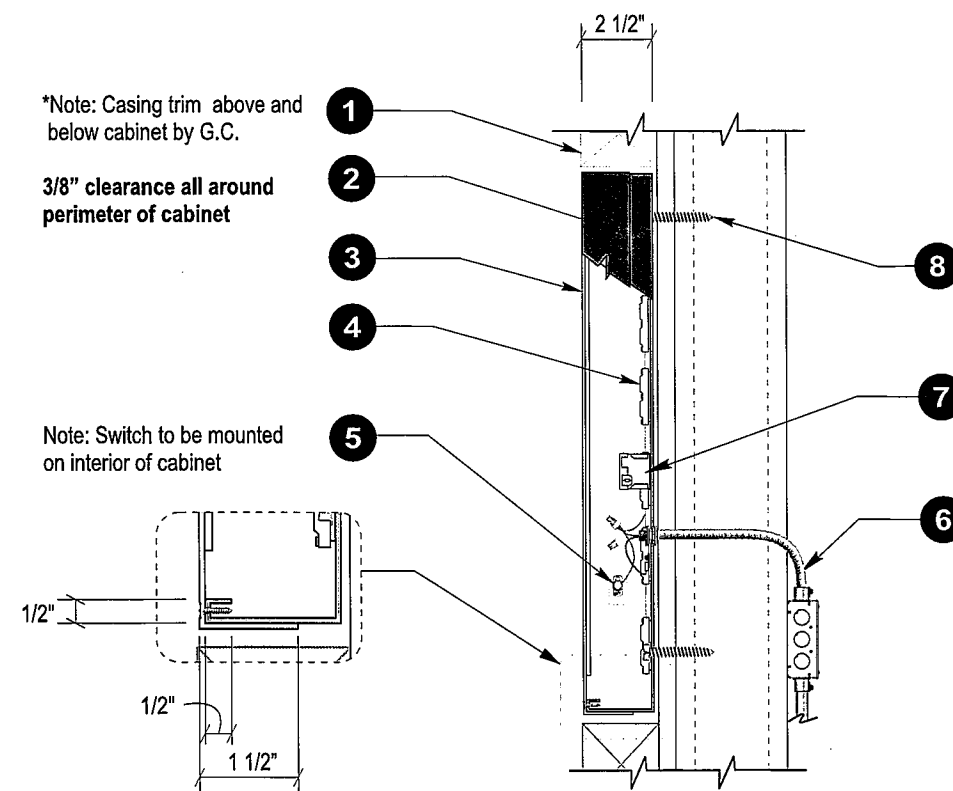
General Notes:

This sign is to be installed in accordance with the requirements of Article 600 of the National Electrical Code.

- 1) Grounded and bonded per NEC 600.7/NEC 250
- 2) Existing branch circuit in compliance with NEC 600.5, not to exceed 20 amps
- 3) Sign is to be UL listed per NEC 600.3
- 4) UL disconnect switch per NEC 600.6- required per sign component before leaving manufacturer*
 *For multiple signs, a disconnect is permitted but not required for each section

Specifications: Wall sign

1. Existing facade of canopy
2. 0.080" Brake-formed aluminum cabinet ptm SW-6076 Turkish Coffee
3. 0.080" Routed aluminum pan face w/ 1 1/2" lip painted to match existing facade/ canopy. Attached to brake-formed cabinet w/ counter-sunk screws. Copy to be routed from face and backed with white acrylic backer
4. White LEDs
5. Waterproof disconnect switch per NEC 600-6 mounted within interior of cabinet
6. Primary electrical feed
7. Advance Xitanium Power Supplies within cabinet
8. Mounting hardware to suit

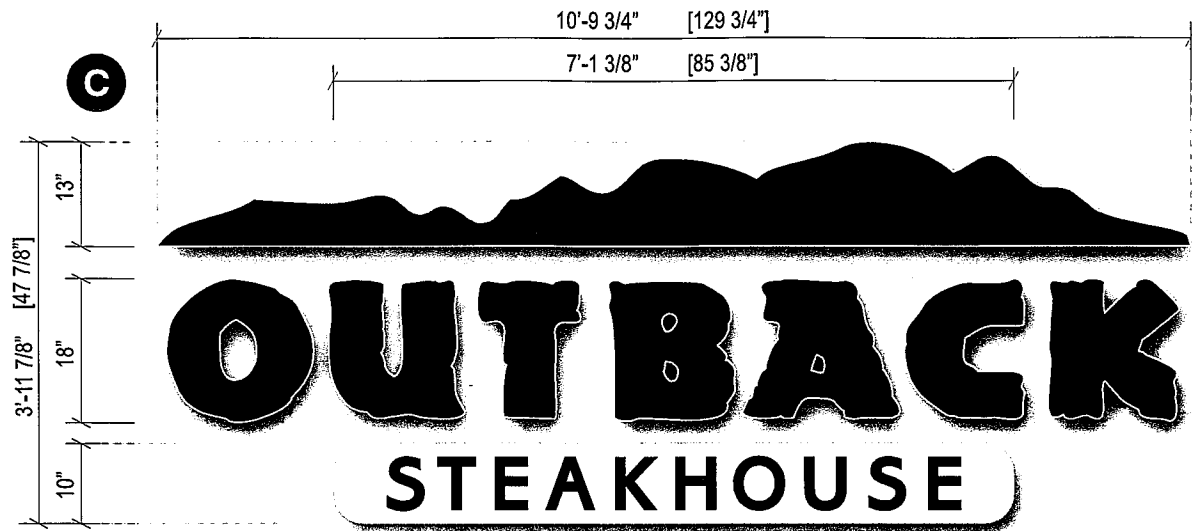


Detail (Top of Cabinet SIM)

Section @ Sign Cabinet/ Routed / Backed

Canopy Mount - LED

Scale: N.T.S.



Sign Layout Detail

Scale: 1/2" = 1'-0"



Electrical Detail:

Ventex Venbrite Red LEDs
 (X) Advance Xitanium Power Supplies
 Total Amps: X.X amps
 (1) 20 amp 120V Circuit Required



LED Wire: 18 AWG PLTC with 14 AWG conductor ground wire. Each letter has an individual ground wire

General Notes:

This sign is to be installed in accordance with the requirements of Article 600 of the National Electrical Code.

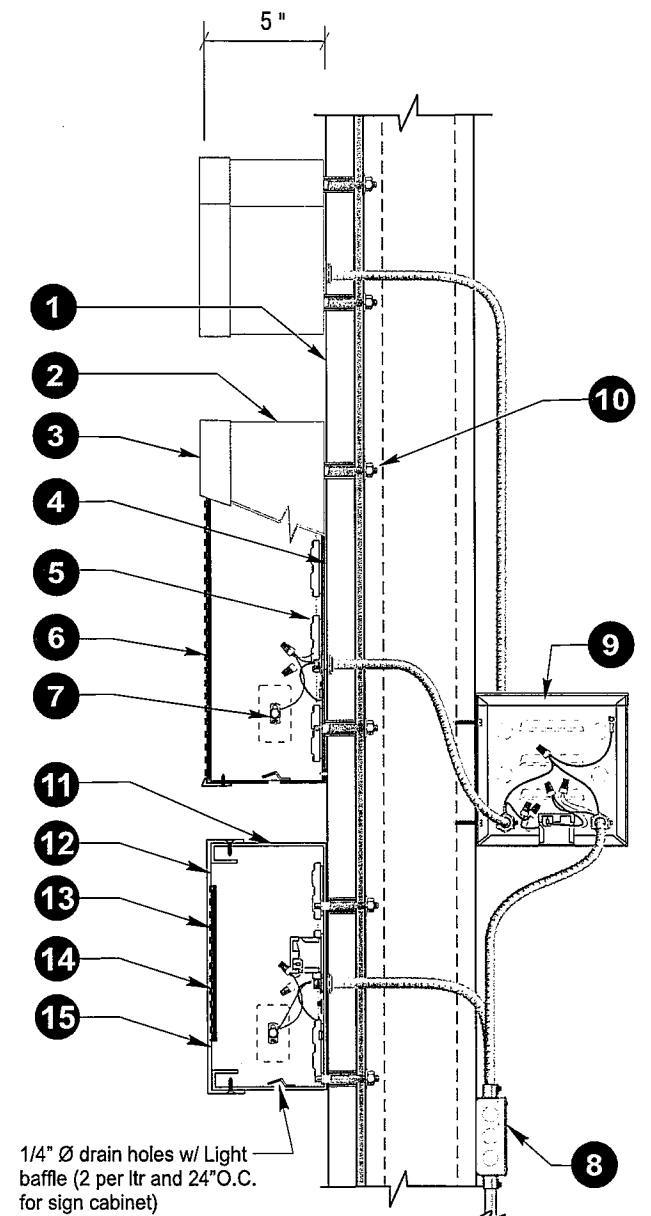
- 1) Grounded and bonded per NEC 600.7/NEC 250
- 2) Existing branch circuit in compliance with NEC 600.5, not to exceed 20 amps
- 3) Sign is to be UL listed per NEC 600.3
- 4) UL disconnect switch per NEC 600.6- required per sign component before leaving manufacturer*
 *For multiple signs, a disconnect is permitted but not required for each section

Specifications: LED Channel Letters / "Mountain"

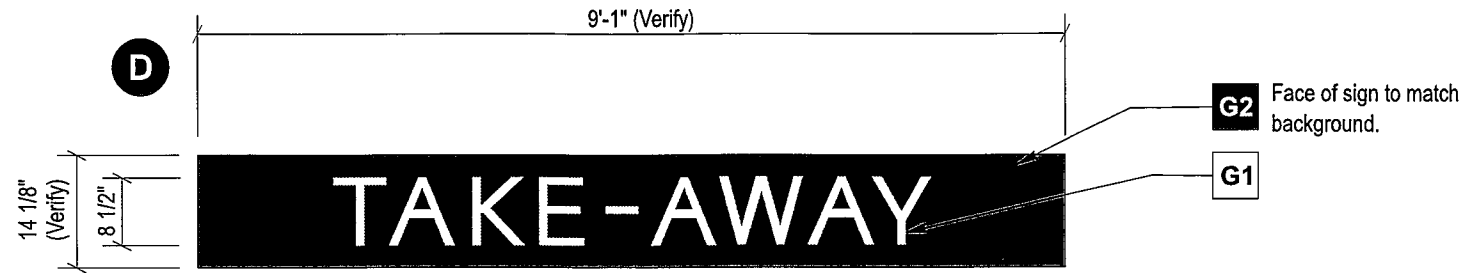
1. Existing Facade: Stone Veneer / Plywood / Metal studs
2. 0.040" Aluminum letter returns painted BM-OC110 Off White
3. 1" Jewelite trimcap (ptd BM-OC110 Off White) bonded to face. #8 pan head screws to returns
4. 0.065" aluminum backs fastened to returns w/ 1/2" 18 gauge staples. Seal w/ VOC compliant 360 white latex caulk to prevent moisture penetration (interior of sign can painted ultra white for max illumination)
5. Red LED modules
6. 3/16" R&H #2283 Red Acrylic w/ Black perforated (Day/night) vinyl on 1st surface
7. UL Outdoor rated toggle type disconnect switch w/ neoprene boot
8. Primary electrical feed in UL conduit / customer supplied UL junction box
9. Advance Xitanium Power Supplies within UL enclosure (removeable lid)
10. Mounting hardware; Riv-Nuts with 3/8" grade A307 low carbon zinc threaded rod w/ 3/8" grade 2 nuts/ washers

Specifications: Cabinet "Steakhouse"

11. 0.080" Aluminum sign cabinet painted to match BM-OC110 Off White
12. Routed aluminum face painted to match BM-OC110 Off White
13. 3/16" R&H #2283 Red Acrylic w/ Black perforated (Day/night) vinyl on 1st surface
14. Red LED modules
15. Advance Xitanium Power Supplies within UL enclosure (removeable lid)



Section thru LED Signage Front-Lit
 Scale: N.T.S.



Sign Layout Detail

Scale: 1/2" = 1'-0"

Measurements will vary per location

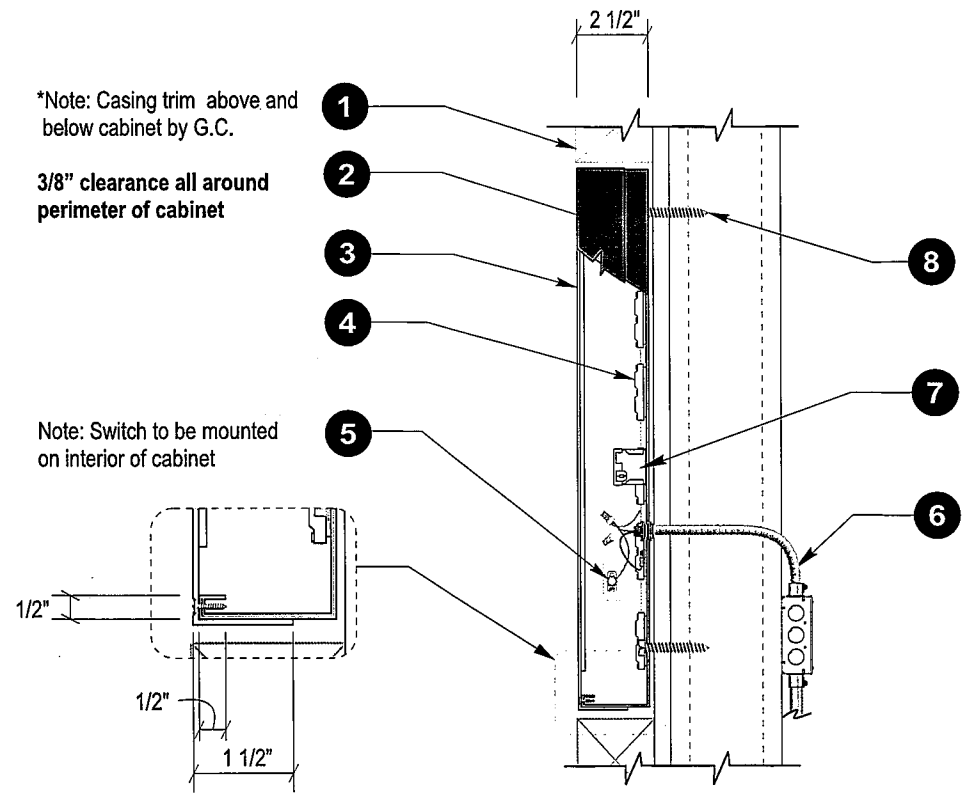
GRAPHIC COLORS	
G1	G2
7328 White acrylic	Sherwin Williams 6076 Turkish Coffee

Electrical Detail:
White LEDs (1) 60w Transformers Total Amps: 0.85 (1) 20 amp 120V Circuit Req.



General Notes:
This sign is to be installed in accordance with the requirements of Article 600 of the National Electrical Code.
1) Grounded and bonded per NEC 600.7/NEC 250
2) Existing branch circuit in compliance with NEC 600.5, not to exceed 20 amps
3) Sign is to be UL listed per NEC 600.3
4) UL disconnect switch per NEC 600.6- required per sign component before leaving manufacturer*
*For multiple signs, a disconnect is permitted but not required for each section

Specifications: Wall sign
1. Existing facade of canopy
2. 0.080" Brake-formed aluminum cabinet ptm SW-6076 Turkish Coffee
3. 0.080" Routed aluminum pan face w/ 1 1/2" lip painted to match existing facade/ canopy. Attached to brake-formed cabinet w/ counter-sunk screws. Copy to be routed from face and backed with white acrylic backer
4. White LEDs
5. Waterproof disconnect switch per NEC 600-6 mounted within interior of cabinet
6. Primary electrical feed
7. Advance Xitanium Power Supplies within cabinet
8. Mounting hardware to suit



Detail (Top of Cabinet SIM)

Section @ Sign Cabinet/ Routed / Backed
Canopy Mount - LED
Scale: N.T.S.