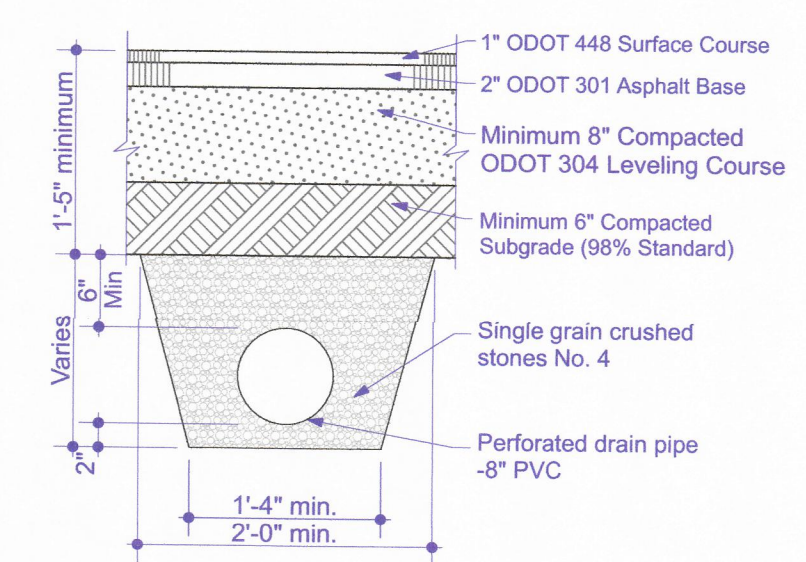


1
A-100 CONSTRUCTION PLAN - NORTHWEST PARKING LOT
SCALE: 1/16" = 1'-0"



2
A-100 PERFORATED DRAINAGE SUBGRADE SECTION
SCALE: 3/4" = 1'-0"

Northwest Parking Lot Landscaping Requirements

Lot Size: 139 spaces

Interior Landscaped Area

Required = 22 s.f. x 139 spaces = 3,058 s.f.
Provided = 3,392 s.f. total

Existing landscaped areas at Middle parking lot and East parking lot are not included in these calculations.

Canopy Trees

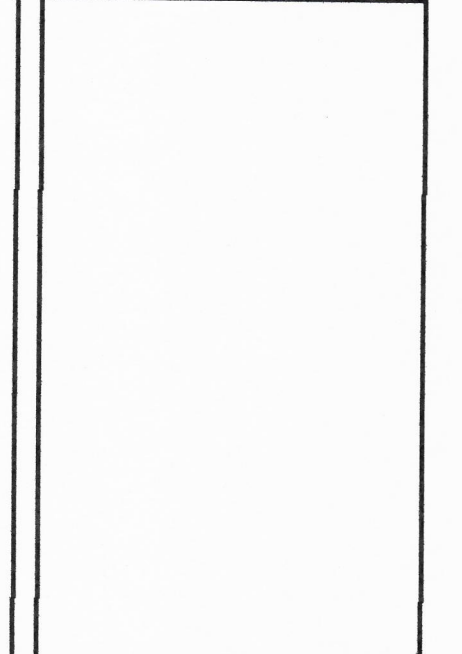
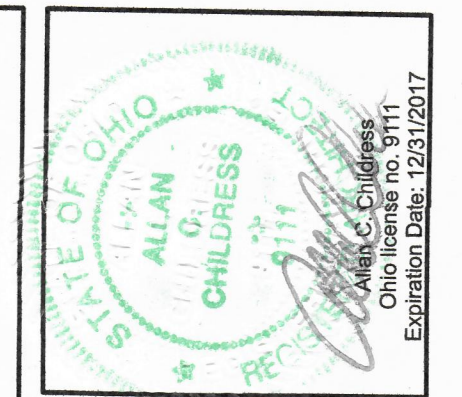
Required = 3 trees per 10 spaces = 42 trees
Provided = 14 trees (1 tree per 10 spaces)

In lieu of canopy trees, understory trees are provided, substituting at 1 to 1 ratio. New trees shown shall be Aristocrat Pear, min. caliper 2.5" when installed.

Shrubs

Required = 3 shrubs x no. of trees (42) = 126 shrubs
Provided = 46 shrubs (3 shrubs x 14 trees = 42 min.)

New shrubs shown shall be Forsythia or Taxus (Yew) as selected by Owner, min. 18" in height or 24" in spread when installed.



CC
Childress & Cunningham, Inc.
www.c-c-architects.com
2355 Park Ave Cincinnati OH 45206 USA
(613) 261-3500 info@cc-architects.com
Copyright © 2015 Childress & Cunningham, Inc.

PROJECT: SITE IMPROVEMENTS FOR -
NORTHEAST CHURCH OF CHRIST
12020 SOUTHWICK LANE
SYCAMORE TOWNSHIP, OH 45241

PROJECT No.:	1525A
DATE:	7/11/16
PROGRESS DATES:	
PERMIT ISSUE:	7/11/16
CONST. ISSUE:	
REVISION DATES:	

A-100