

THIS DOCUMENT, AND THE IDEAS AND DESIGNS INCORPORATED HEREIN, IS THE PROPERTY OF K4 ARCHITECTURE, L.L.C. AND IS NOT TO BE REPRODUCED, COPIED, OR TRANSMITTED IN ANY FORM OR BY ANY MEANS, ELECTRONIC OR MECHANICAL, INCLUDING PHOTOCOPYING, RECORDING, OR BY ANY INFORMATION STORAGE AND RETRIEVAL SYSTEM, WITHOUT THE WRITTEN AUTHORIZATION OF K4 ARCHITECTURE, L.L.C. ALL RIGHTS RESERVED.

File Name: X:\2010\Projects\2010 K4 Architecture\10-2055 FFB Redstone of Kenwood_SCA.dwg Plot Date: Apr. 12, 2011 11:38am

EXTERIOR FINISH SCHEDULE						EXTERIOR FINISH NOTES:
KEY NOTE	ITEM	MATERIAL	FINISH	MFGR	COLOR	
BR-1	BRICK VENEER - BR-1 FIELD BRICK	UTILITY BRICK	PRE FINISHED	BELDEN	#661 - FINISH: SMOOTH A 07-47	A
BR-2	BRICK VENEER - BR-2 ACCENT BRICK	UTILITY BRICK	PRE FINISHED	BELDEN	GRAYSTONE - FINISH: VELOUR A 05-09	
EFS	E.F.S.	EXTERIOR INSULATION FINISH SYSTEM	LYMESTONE	DRYVIT	#110 VAN DYKE	E
CSV-1	CAST STONE VENEER 1	CAST STONE	SMOOTH	READING ROCK	BUFF STONE GP-A	-
CSV-2	CAST STONE VENEER 2	CAST STONE	SMOOTH	READING ROCK	SANDSTONE GP-B	-
CSV-3	CAST STONE WATERTABLE	CAST STONE	SMOOTH	READING ROCK	SANDSTONE GP-B	-
CMU-1	CMU WAINSCOT	BURNISHED CONCRETE MASONRY UNIT	BURNISHED CMU	GRAND BLANC CEMENT	BOARDMAN	
MR-1	EXTERIOR METAL PANELS - ENTRY	ALUMINUM PANEL	PRE FINISHED	SOBOIECH	GREENWOOD BBGE	-
MR-2	EXTERIOR METAL PANELS - ENTRY WELCOME PANEL	ALUMINUM PANEL	PRE FINISHED	SOBOIECH	PANTONE 285C - BLUE	-
MR-3	EXTERIOR METAL PANELS - ABOVE WINDOWS	ALUMINUM	CLEAR ANODIZED ALUMINUM	-	CLEAR ANODIZED	-
MR-4	UPPER LEVEL DOWNSPOUTS AND GUTTERS	ALUMINUM	PRE FINISHED	BERRIDGE OR EQUAL	DARK BRONZE	-
MRS	EXTERIOR CEILING - FRONT ENTRY	1/2" ANODIZED ALUMINUM PANELS	PRE FINISHED	FIRESTONE	CLEAR ANODIZED ALUMINUM	G
	CLERESTORY ROOF	ALUMINUM	PRE FINISHED	BERRIDGE, FIRESTONE OR EQUAL	DARK BRONZE	
-	STOREFRONT / FRAME	ALUMINUM	PRE FINISHED	RE: Spec. 08 44 13	-	-
-	CLERESTORY WINDOW FRAMES	ALUMINUM	PRE FINISHED	-	CLEAR ANODIZED ALUMINUM	B
-	WINDOW GLAZING	-	-	RE: Spec. 08 80 00	-	-
-	SPANDREL GLASS	-	-	RE: Spec. 08 44 13	-	-
-	DOOR/ RE-LITE FRAMES	ALUMINUM	PRE FINISHED	-	-	-
-	HOLLOW METAL DOORS & FRAMES	METAL	PRE FINISHED	-	SELECTED BY ARCHITECT	-
-	MASONRY GROUT	OHIO RIVER MASONRY SAND	-	BROMMENT B-133	FLAMINGO	-
-	CAST STONE HEAD	CAST STONE	SMOOTH	ROCKCAST	BUFF STONE GP-A	-
-	CAST STONE TRIM	CAST STONE	SMOOTH	ROCKCAST	BUFF STONE GP-A	D
-	CAST STONE SILL	CAST STONE	SMOOTH	ROCKCAST	BUFF STONE GP-A	
-	SCUPPERS	METAL	PRE FINISHED	BERRIDGE	SIERRA TAN	-
-	DECORATIVE RAINWATER BASIN	ALUMINUM or METAL	PRE FINISHED	-	-	-
-	DOWNSPOUTS	ALUMINUM	PRE FINISHED	BERRIDGE	SIERRA TAN	-
-	FASCIA	-	PRE FINISHED	-	CLEAR ANODIZED	-
-	MISCELLANEOUS FLASHING	-	PRE FINISHED	RE: Spec. 07 62 00	-	-
-	EXTERIOR GRILLES, VENTS, ACCESS DOORS	-	PRE FINISHED	-	PAINTED TO MATCH ADJACENT WALL CONSTRUCTION	-
-	HVAC ARCHITECTURAL GRILLS	METAL	PRE FINISHED	PRICE	WHITE	-
-	PIPE BOLLARD	SCHEDULE 40 STEEL PIPE	UNFINISHED	-	-	F
-	INTERIOR GRATES AND VENTS	ALUMINUM	PRE FINISHED	VARIES	WHITE	

EXTERIOR FINISH NOTES:

- A. UTILITY BRICK BASIN OF DESIGN: WASHINGTON MANHATTAN SERIES - FIFTH AVENUE. OPTIONAL UNIT BY BELDEN BRICK COMPANY, MODULAR, NUTMEG VELOUR. RE: SPEC. SECTION 04 20 00.
- B. SEE NOTES FOR SOUTH ELEVATION.
- C. FOR PIPE BOLLARDS SEE DRIVE THRU. D. REFER TO DETAIL 1/A203
- E. WATER MANAGED SYSTEM. REFER TO SPECIFICATIONS
- F. PREFINISHED BLUE COVER PROVIDED AND INSTALLED BY OWNER
- G. FIRESTONE UNA CLAD UC-500 FLUSH ALUMINUM PANELS, 1" TALL x 12" WIDE.

NOTES THIS DRAWING:

THESE NOTES APPLY TO SHEETS A-201 AND A-202

FINISH LEGEND:

- (M1) METAL PANEL - CUSTOM COLOR - GREENWOOD BEIGE
- (M2) METAL PANEL - CUSTOM COLOR - BLUE - PANTONE 285C (FRONT AND REAR PANEL THIS LOCATION ONLY) TO BE FACTORY FINISHED OR POST-PAINTED BY CONTRACTOR IN A CONTROLLED ENVIRONMENT
- (M3) METAL PANEL - CLEAR ANODIZED
- (M4) METAL PANEL - DARK BRONZE
- (M5) METAL CEILING PANEL - ANODIZED ALUMINUM. FIRESTONE UNA CLAD UC-500
- (BR1) FIELD BRICK - BR-1 - BELDEN BRICK - #661 SMOOTH A 07-47 - SEE SPECIFICATIONS AND EXTERIOR FINISH SCHEDULE A203
- (BR2) ACCENT BRICK - BR-2 - BELDEN BRICK - GRAYSTONE VELOUR A 05-09 - SEE SPECIFICATIONS AND EXTERIOR FINISH SCHEDULE A203
- (CMU1) CMU WAINSCOT - CMU1 - BURNISHED BLOCK, GRAND BLANC CEMENT - BOARDMAN. REFER TO SPECIFICATIONS
- (EFS) EFS - CUSTOM COLOR TO MATCH FIELD BRICK.

NOTE: INDICATED AREAS ARE CONSISTANT ON ALL ELEVATIONS.

GENERAL NOTES:

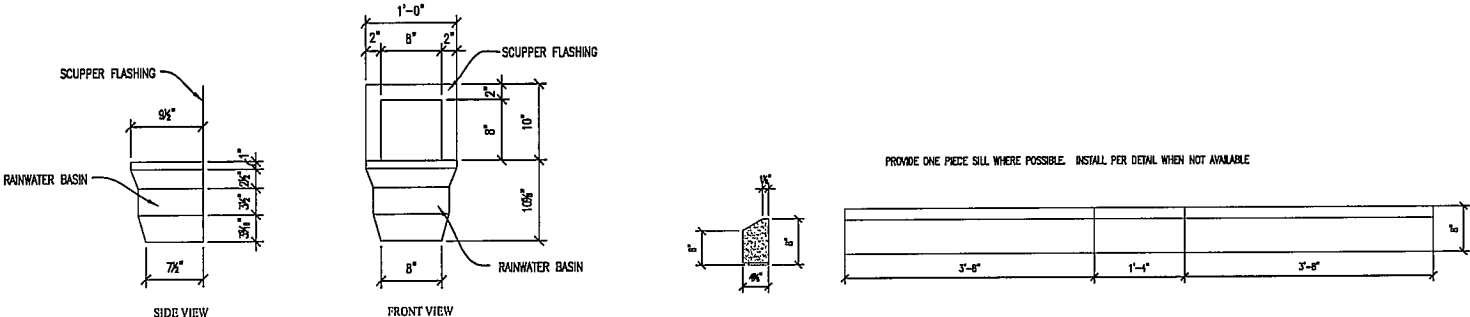
- A. GRADES/ELEVATIONS AT DRIVE-THRU ARE REFERENCE ELEVATIONS ONLY - SEE CIVIL DRAWINGS FOR ACTUAL FINISH ELEVATIONS.

K4 ARCHITECTURE, LLC
 555 Gest Street
 Cincinnati, Ohio 45203
 Tel: (513) 455-5005
 Fax: (513) 455-5008
 Webpage: www.k4pieces.com
 Email: info@k4pieces.com

PROPOSED RETAIL BANKING CENTER
 for:
first Redstone of Kenwood Branch
 Montgomery Road
 Cincinnati, Ohio
 first financial bank

REVISIONS / SUBMISSIONS

NO.	DESCRIPTION	DATE



1
 OVERFLOW SCUPPER
 DETAIL
 SCALE: 1"=1'-0"
 REFER TO DETAILS 1/A-416 & 1/A-416

2
 WINDOW SILL
 DETAIL
 SCALE: 3/4"=1'-0"
 REFER TO DETAIL 4/A-411 & 1/A-202

EXTERIOR FINISH
 SCHEDULE AND
 DETAILS

Drawn By: MLK, SDS
 Scale: AS NOTED
 Job No.: 10-2055