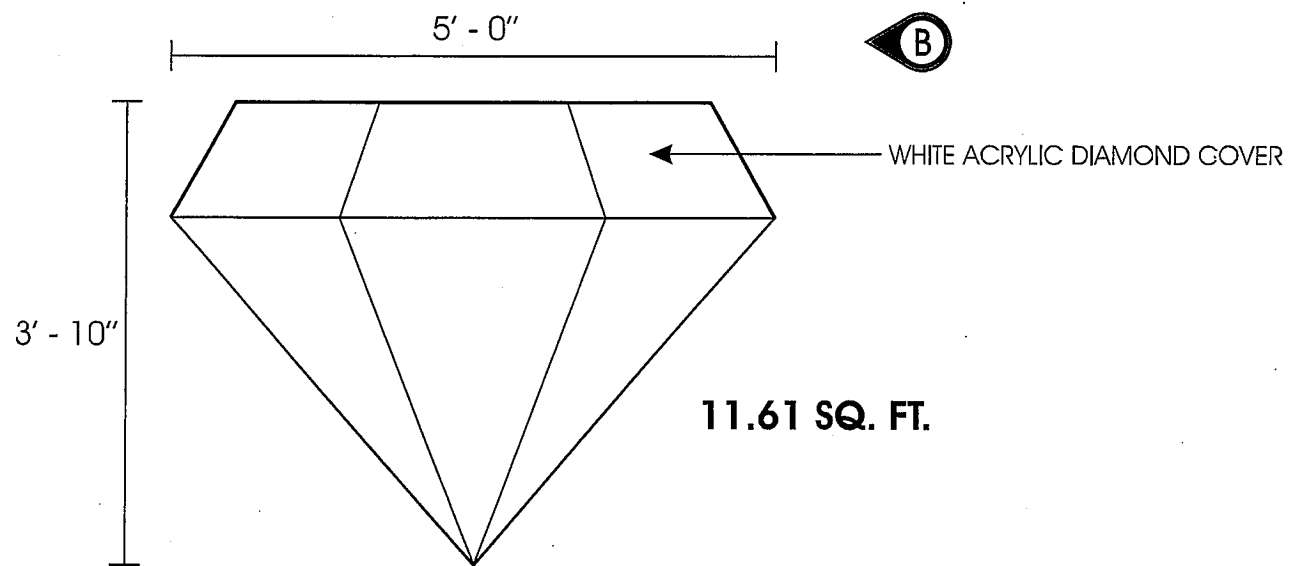


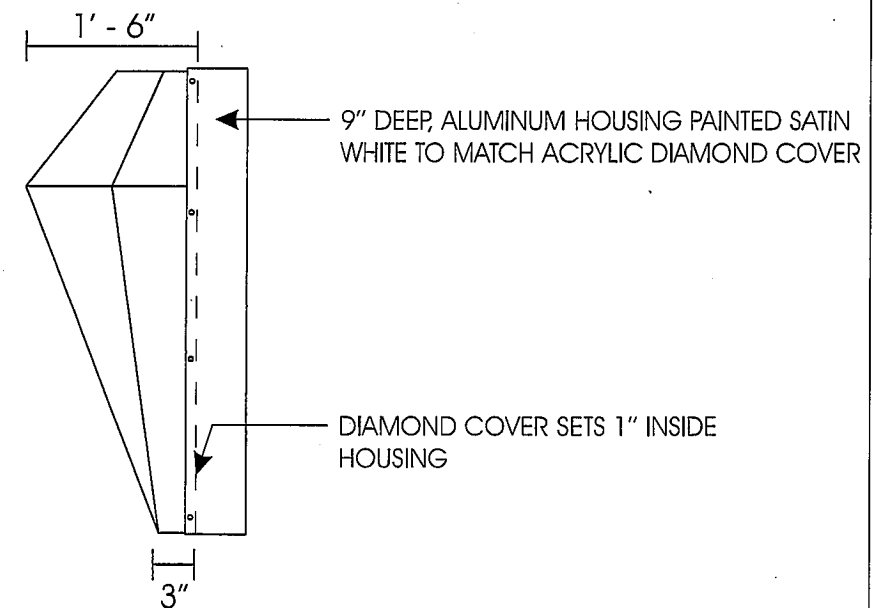
ILLUMINATED ACRYLIC DIAMOND - ELEVATION

Scale: 1/2" = 1' - 0"



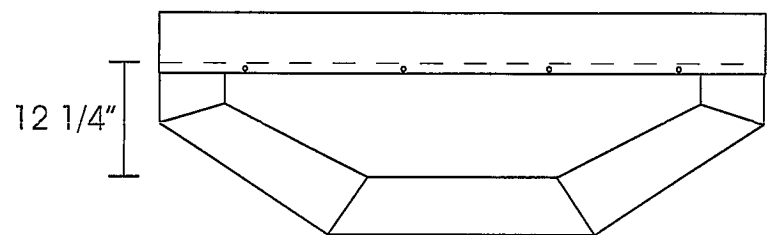
ILLUMINATED ACRYLIC DIAMOND - PROFILE

Scale: 1/2" = 1' - 0"



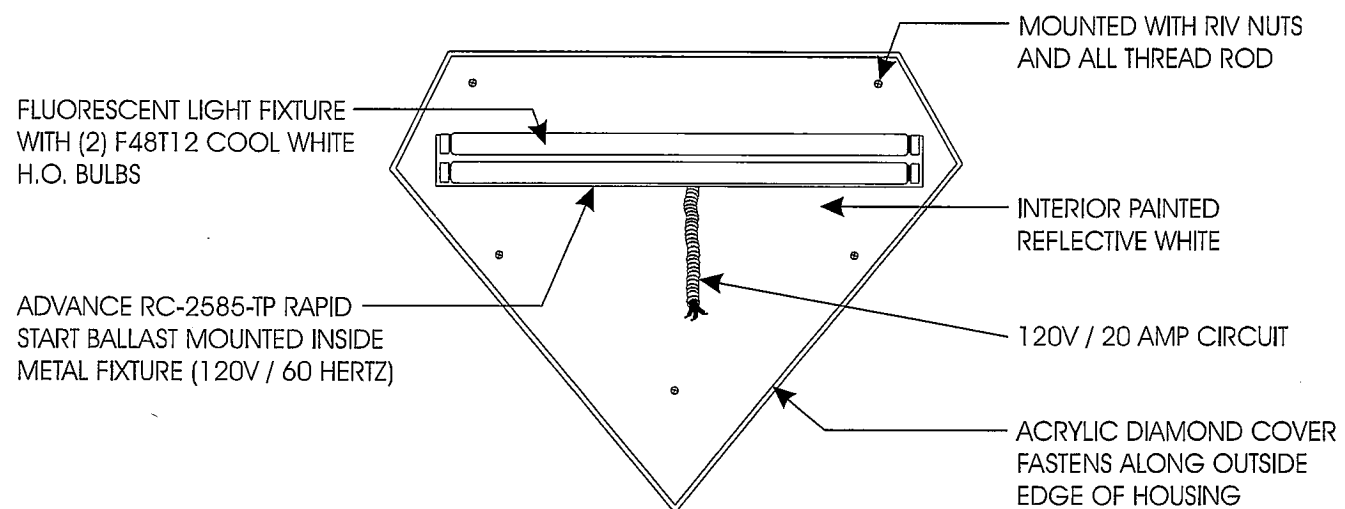
ILLUMINATED ACRYLIC DIAMOND - PLAN

Scale: 1/2" = 1' - 0"



ILLUMINATED ACRYLIC DIAMOND - DETAIL

Scale: N.T.S.



**The circuit for signage must be dedicated with three isolated conductors - consisting of a hot, neutral, and ground all going back to the main panel.**



308 Crossfield Drive Versailles, KY 40383  
Ph: 859-879-1199 Fx: 859-879-8683  
www.rugglessign.com

Client: **JARED 2451**

Location: SYCAMORE TOWNSHIP / CINCINNATI, OH

Date: 12/07/05 Rep: SCOTT CAMBROM

Sign code: J60DIA

ACCEPTED BY: \_\_\_\_\_

DRAWN BY: D.C.