

SYCAMORE TOWNSHIP
PLANNING & ZONING
DEC 21 2012
RECEIVED

THE EDGE® ARE-EDG-2M-DA

Area Luminaire - Type II Medium - Direct Arm Mount

Product Description

Slim, low profile design minimizes wind load requirements. Luminaire sides are rugged cast aluminum with integral, weather-tight LED driver compartments and high performance aluminum heat sinks. Convenient, interlocking mounting method. Mounting housing is rugged die cast aluminum and mounts to 3-6" (76-152mm) square or round pole. Luminaire is secured by two (2) 5/16-18 UNC bolts spaced on 2" (51mm) centers.

Performance Summary

Utilizes BetaLED® Technology

Patented NanoOptic® Product Technology

Made in the U.S.A. of U.S. and imported parts

CRI: Minimum 70 CRI

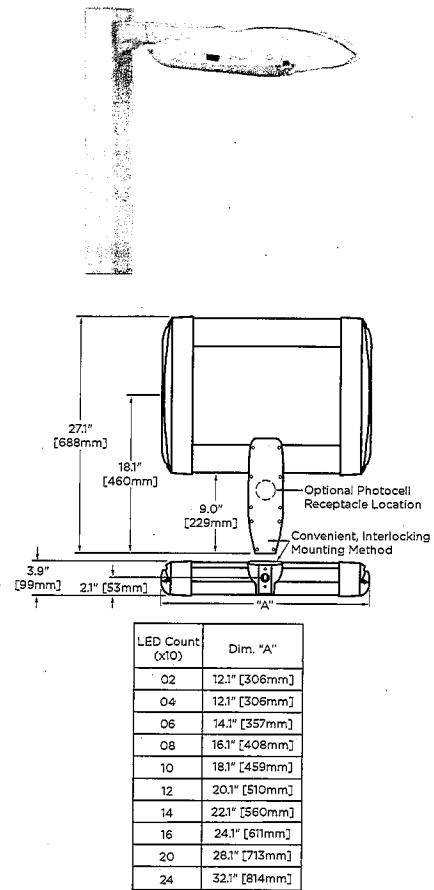
CCT: 5700K (+/- 500K) Standard, 4000K (+/- 300K)

Warranty: 5 years on luminaire / 10 years on Colorfast DeltaGuard® finish

EPA and Weight: Reference EPA and Weight spec sheet

Accessories

| Part # | Installed Accessories |
|-----------|-----------------------|
| XA-BRDSPK | Bird Spikes |



Ordering Information

Example: ARE-EDG-2M-DA-02-D-UL-SV-350-OPTIONS

| ARE-EDG | 2M | DA | LED Count (x10) | D | UL | SV | 350 | Options |
|---------|-------------------------|---------------------|----------------------------------------------------------|---|--------------------------------------------------------------------------|------------------------------------------------------------------------------------------------------|-------------------------------------------|----------------------------------------------------------------------------------------------------------------------------------------------------------------------------------------------------------------------------------------------------------------------------------------------------------------------------------------------------------------------------------------------------------------------------------------------------------------------------------------------------------------------------------------------------------------------------------------------------------------------------------------------------------------------------------------------------------------------------------------------------------------------------------------------------------------------------------------------------------------------------------------------------------------------------------------------------|
| ARE-EDG | 2M Type II Medium | DA Direct Arm | 02 04 06 08 10 12 14 16 20 24 | D | UL Universal 120-277V UH Universal 347-480V 34 347V | SV Silver (Standard) BK Black BZ Bronze PB Platinum Bronze WH White | 350mA 525mA 525mA 700mA 700mA | 40K 4000K Color Temperature - Color temperature per luminaire DIM 0-10V Dimming - Control by others - Refer to dimming spec sheet for details - Can't exceed specified drive current F Fuse - When code dictates fusing, use time delay fuse - Not available with all ML options. Refer to ML spec sheet for availability with ML options HL Hi / Low (175/350/525 Dual Circuit Input) - Refer to ML spec sheet for details - Sensor not included P Photocell - Not available with all ML options. Refer to ML spec sheet for availability with ML options - Must specify voltage other than UH R NEMA Photocell Receptacle - Not available with all ML options. Refer to ML spec sheet for availability with ML options - Intended for horizontal mounting - Photocell by others ML Multi-Level - Refer to ML spec sheet for details |

* Available on luminaires with 20-160 LEDs
 ** Available on luminaires with 20-60 LEDs



Rev. Date: 6/26/2012



Area Luminaire - Type II Medium - Direct Arm Mount

Product Specifications

CONSTRUCTION & MATERIALS

- Slim, low profile, minimizing wind load requirements
- Luminaire sides are rugged die cast aluminum with integral, weather-tight LED driver compartments and high performance heat sinks
- Convenient interlocking mounting method. Mounting housing is rugged die cast aluminum mounting to 3-6" (76-152mm) square or round pole, secured by two (2) 5/16-18 UNC bolts spaced on 2" (51mm) centers
- Includes leaf / debris guard
- Exclusive Colorfast DeltaGuard® finish features an E-Coat epoxy primer with an ultradurable powder topcoat, providing excellent resistance to corrosion, ultraviolet degradation and abrasion. Standard is silver. Bronze, black, white, and platinum bronze are also available

ELECTRICAL SYSTEM

- **Input Voltage:** 120-277V or 347-480V, 50/60Hz, Class 1 drivers
- **Power Factor:** > 0.9 at full load
- **Total Harmonic Distortion:** < 20% at full load
- Integral weather-tight electrical box with terminal strips (12Ga-20Ga) for easy power hookup
- Integral 10kV surge suppression protection standard
- To address inrush current, slow blow fuse or type C/D breaker should be used

REGULATORY & VOLUNTARY QUALIFICATIONS

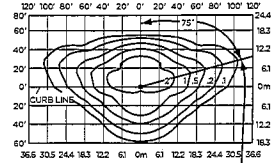
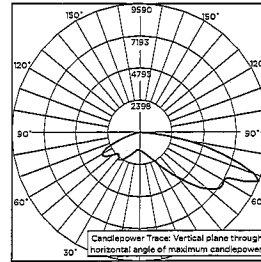
- cULus Listed
- Suitable for wet locations
- Enclosure rated IP66 per IEC 60529 when ordered without P or R options
- Consult factory for CE Certified products
- Certified to ANSI C136.31-2001, 3G bridge and overpass vibration standards
- 10kV surge suppression protection tested in accordance with IEEE/ANSI C62.41.2
- Luminaire and finish endurance tested to withstand 5,000 hours of elevated ambient salt fog conditions as defined in ASTM Standard B 117
- Product qualified on the DesignLights Consortium ("DLC") Qualified Products List ("QPL") when ordered without the backlight control shield
- Dark Sky Friendly, IDA Approved
- RoHS Compliant
- Meets Buy American requirements within ARRA

PATENTS

- Visit website for patents that cover these products: Patents <http://www.cree.com/patents>

Photometry

All published luminaire photometric testing performed to IESNA LM-79-08 standards by Independent Testing Laboratories, a NVLAP certified laboratory.



ITL Test Report #: 68360
 ARE-EDG-2M-**-12-D-UL-525-43K
 Initial Delivered Lumens: 14,303

ARE-EDG-2M-**-12-D-UL-525-40K
 Mounting Height: 25' (7.6m) A.F.G.
 Initial Delivered Lumens: 14,583
 Initial FC at grade

IES Files
 To obtain an IES file specific to your project consult:
<http://www.cree.com/lighting/tools-and-support/exterior-ies-configuration-tool>

Lumen Output, Electrical, and Lumen Maintenance Data

| Type II Medium Distribution | | | | | | | | | | | | |
|------------------------------|--------------------------|---------------------------|--------------------------|---------------------------|-----------------------|---------------|------|------|------|------|----------------------------------------------------------------|------|
| LED Count (x10) | 5700K | | 4000K | | System Watts 120-480V | TOTAL CURRENT | | | | | 50K Hours Projected Lumen Maintenance Factor @ 15° C (59° F)** | |
| | Initial Delivered Lumens | BUG Ratings* Per TM-15-11 | Initial Delivered Lumens | BUG Ratings* Per TM-15-11 | | 120V | 208V | 240V | 277V | 347V | | 480V |
| 350mA @ 25° C (77° F) | | | | | | | | | | | | |
| 02 | 1,913 | B1 U0 G1 | 1,763 | B1 U0 G1 | 26 | 0.20 | 0.13 | 0.11 | 0.10 | 0.09 | 0.07 | 93% |
| 04 | 3,826 | B2 U0 G1 | 3,526 | B2 U0 G1 | 47 | 0.40 | 0.26 | 0.21 | 0.19 | 0.15 | 0.12 | |
| 06 | 5,665 | B2 U0 G2 | 5,221 | B1 U0 G1 | 68 | 0.58 | 0.34 | 0.30 | 0.26 | 0.20 | 0.16 | |
| 08 | 7,504 | B2 U0 G2 | 6,982 | B2 U0 G2 | 90 | 0.77 | 0.44 | 0.38 | 0.34 | 0.26 | 0.20 | |
| 10 | 9,419 | B2 U0 G2 | 8,681 | B2 U0 G2 | 111 | 0.95 | 0.55 | 0.47 | 0.42 | 0.32 | 0.24 | |
| 12 | 11,302 | B3 U0 G2 | 10,417 | B2 U0 G2 | 132 | 1.15 | 0.66 | 0.56 | 0.50 | 0.38 | 0.29 | |
| 14 | 13,126 | B3 U0 G3 | 12,098 | B3 U0 G3 | 157 | 1.34 | 0.78 | 0.67 | 0.61 | 0.47 | 0.35 | |
| 16 | 15,001 | B3 U0 G3 | 13,823 | B3 U0 G3 | 179 | 1.54 | 0.89 | 0.76 | 0.68 | 0.53 | 0.39 | |
| 20 | 18,752 | B3 U0 G3 | 17,282 | B3 U0 G3 | 221 | 1.92 | 1.10 | 0.95 | 0.84 | 0.65 | 0.48 | |
| 24 | 22,502 | B3 U0 G3 | 20,769 | B3 U0 G3 | 264 | 2.30 | 1.31 | 1.10 | 1.00 | 0.77 | 0.56 | |
| 525mA @ 25° C (77° F) | | | | | | | | | | | | |
| 02 | 2,678 | B1 U0 G1 | 2,469 | B1 U0 G1 | 37 | 0.31 | 0.19 | 0.17 | 0.16 | 0.12 | 0.10 | 92% |
| 04 | 5,357 | B2 U0 G2 | 4,937 | B1 U0 G1 | 70 | 0.57 | 0.25 | 0.29 | 0.25 | 0.21 | 0.16 | |
| 06 | 7,932 | B2 U0 G2 | 7,310 | B2 U0 G2 | 102 | 0.87 | 0.50 | 0.44 | 0.39 | 0.30 | 0.22 | |
| 08 | 10,507 | B3 U0 G2 | 9,747 | B2 U0 G2 | 133 | 1.14 | 0.65 | 0.56 | 0.49 | 0.35 | 0.27 | |
| 10 | 13,186 | B3 U0 G3 | 12,153 | B3 U0 G3 | 172 | 1.47 | 0.85 | 0.75 | 0.67 | 0.51 | 0.38 | |
| 12 | 15,865 | B3 U0 G3 | 14,583 | B3 U0 G3 | 209 | 1.76 | 1.01 | 0.88 | 0.78 | 0.60 | 0.44 | |
| 14 | 18,377 | B3 U0 G3 | 16,937 | B3 U0 G3 | 233 | 2.01 | 1.14 | 0.99 | 0.87 | 0.69 | 0.51 | |
| 16 | 21,002 | B3 U0 G3 | 19,356 | B3 U0 G3 | 267 | 2.29 | 1.29 | 1.09 | 0.98 | 0.79 | 0.57 | |
| 20 | 26,252 | B3 U0 G3 | 24,195 | B3 U0 G3 | 333 | 2.85 | 1.61 | 1.35 | 1.20 | 0.95 | 0.70 | |
| 24 | 31,502 | B3 U0 G3 | 29,039 | B3 U0 G3 | 399 | 3.41 | 1.93 | 1.59 | 1.40 | 1.05 | 0.76 | |
| 700mA @ 25° C (77° F) | | | | | | | | | | | | |
| 02 | 3,271 | B1 U0 G1 | 3,015 | B1 U0 G1 | 50 | 0.42 | 0.25 | 0.22 | 0.20 | 0.15 | 0.12 | 90% |
| 04 | 6,543 | B2 U0 G2 | 6,030 | B2 U0 G2 | 97 | 0.79 | 0.45 | 0.40 | 0.35 | 0.27 | 0.20 | |
| 06 | 9,688 | B2 U0 G2 | 8,929 | B2 U0 G2 | 137 | 1.18 | 0.67 | 0.59 | 0.51 | 0.39 | 0.29 | |
| 08 | 12,833 | B3 U0 G2 | 11,870 | B2 U0 G2 | 177 | 1.57 | 0.87 | 0.76 | 0.67 | 0.51 | 0.38 | |
| 10 | 15,978 | B3 U0 G3 | 14,807 | B3 U0 G3 | 217 | 1.96 | 1.07 | 0.93 | 0.83 | 0.63 | 0.47 | |
| 12 | 19,123 | B3 U0 G3 | 17,736 | B3 U0 G3 | 257 | 2.35 | 1.27 | 1.10 | 0.98 | 0.75 | 0.56 | |
| 14 | 22,268 | B3 U0 G3 | 20,579 | B3 U0 G3 | 297 | 2.74 | 1.47 | 1.26 | 1.12 | 0.85 | 0.63 | |
| 16 | 25,413 | B3 U0 G3 | 23,430 | B3 U0 G3 | 337 | 3.13 | 1.67 | 1.43 | 1.26 | 0.95 | 0.70 | |
| 20 | 31,768 | B3 U0 G3 | 29,115 | B3 U0 G3 | 437 | 3.95 | 2.09 | 1.79 | 1.56 | 1.15 | 0.84 | |
| 24 | 38,123 | B3 U0 G3 | 34,940 | B3 U0 G3 | 537 | 4.77 | 2.51 | 2.15 | 1.88 | 1.35 | 0.98 | |

* For more information on the IES BUG (Backlight-Uplight-Glare) Rating visit www.iesna.org/PDF/Erratas/TM-15-11BugRatingsAddendum.pdf
 ** Projected L₇₀ (10K) Hours: >60,000. For recommended lumen maintenance factor data see TD-13

