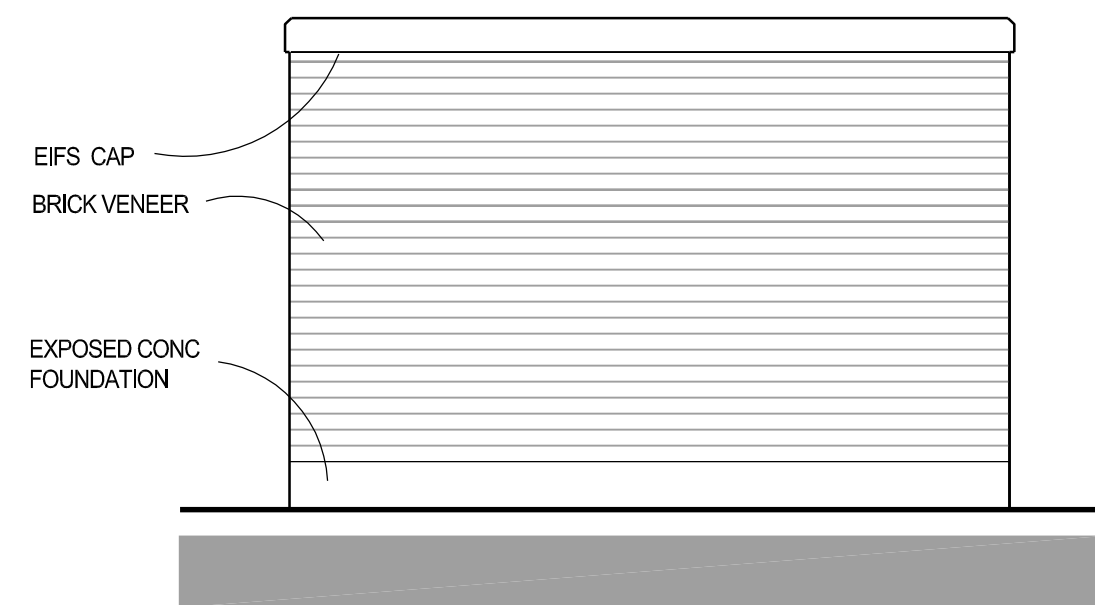
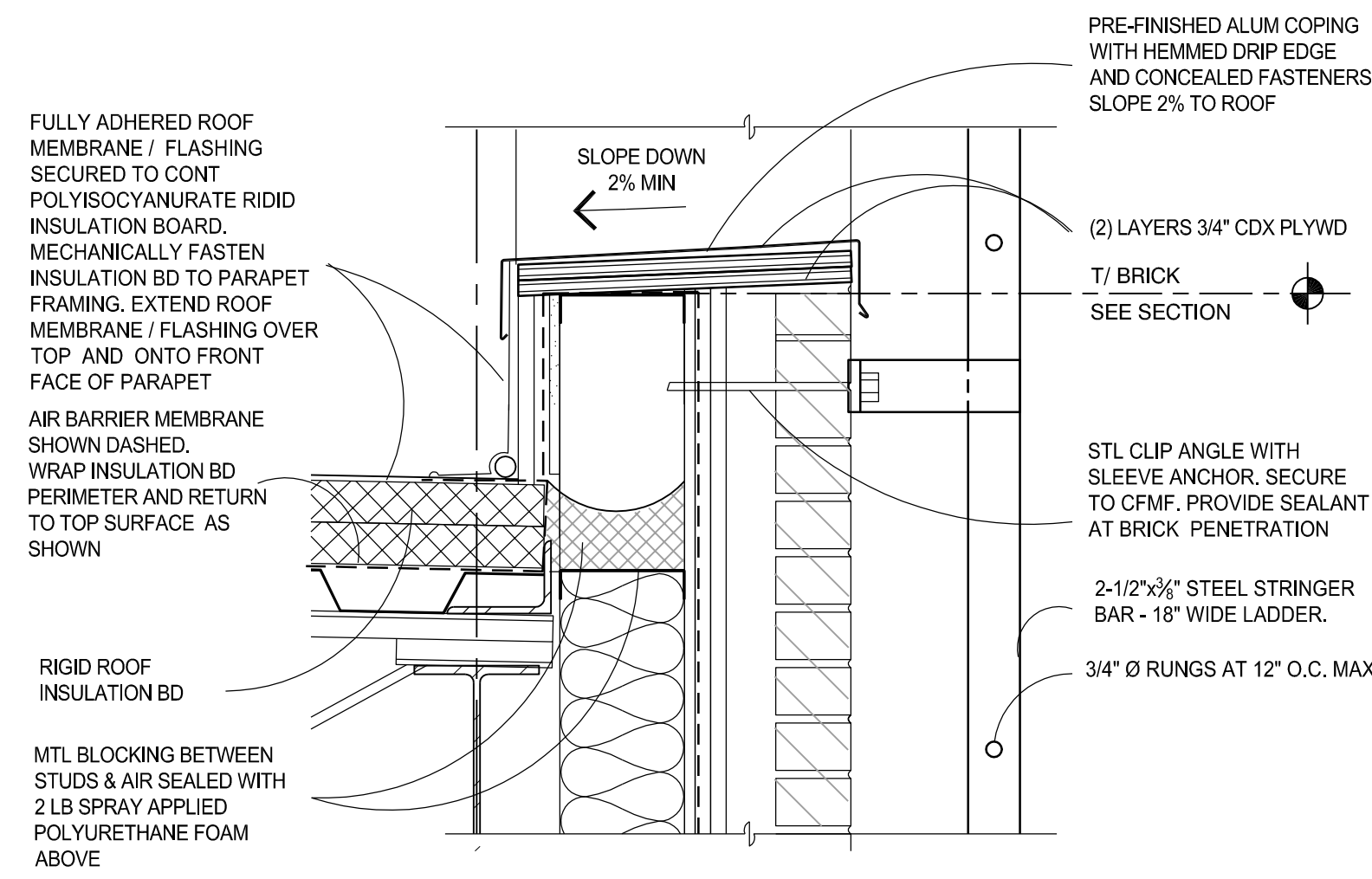


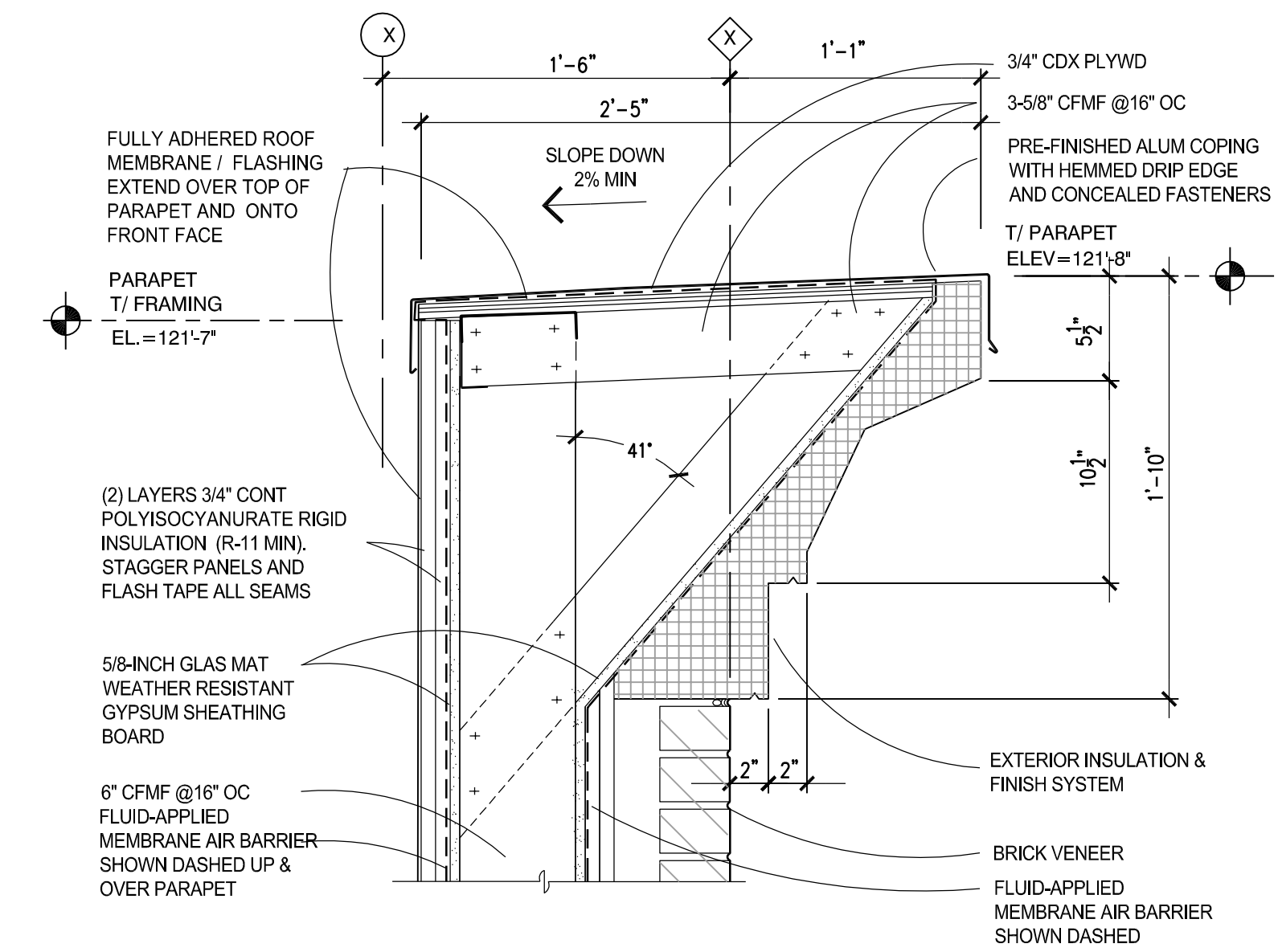
11 FRONT ELEVATION  
SCALE: 3/8"=1'-0"



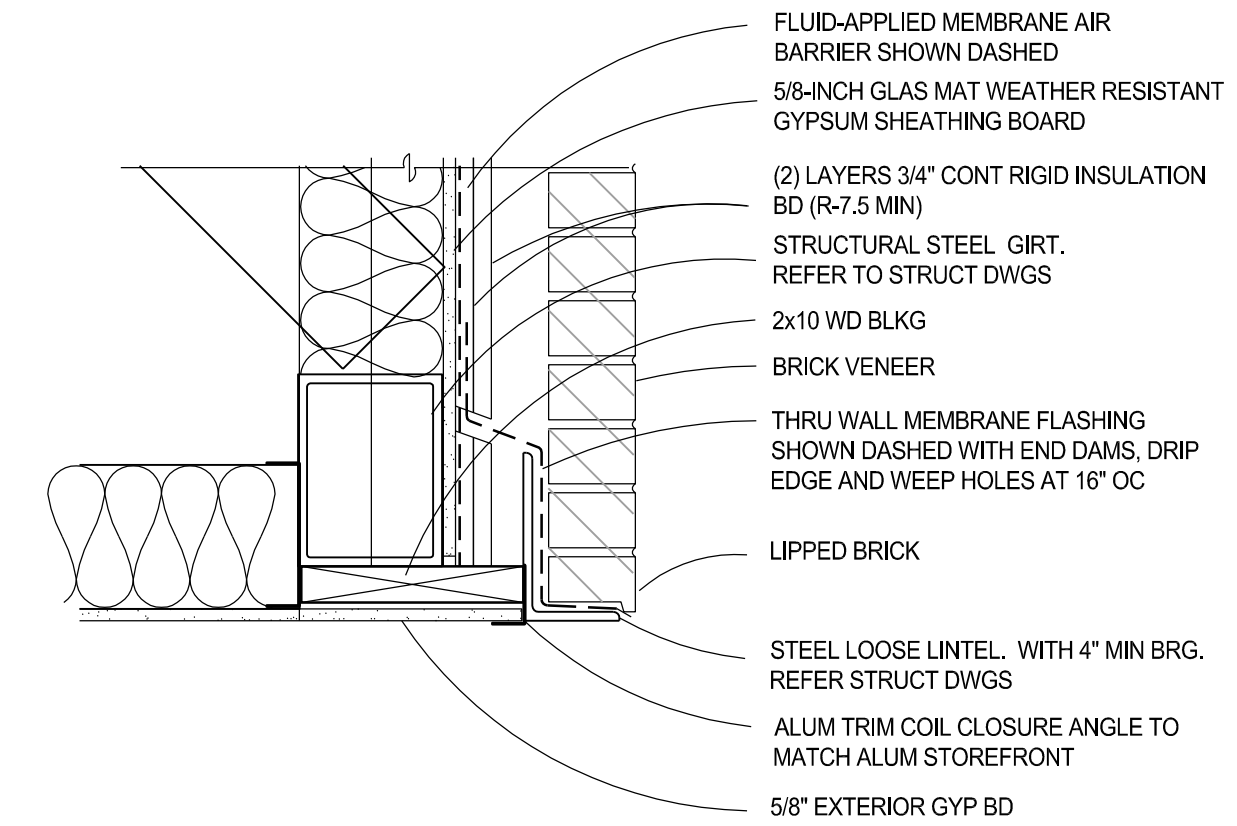
10 SIDE / REAR ELEVATION  
SCALE: 3/8"=1'-0"



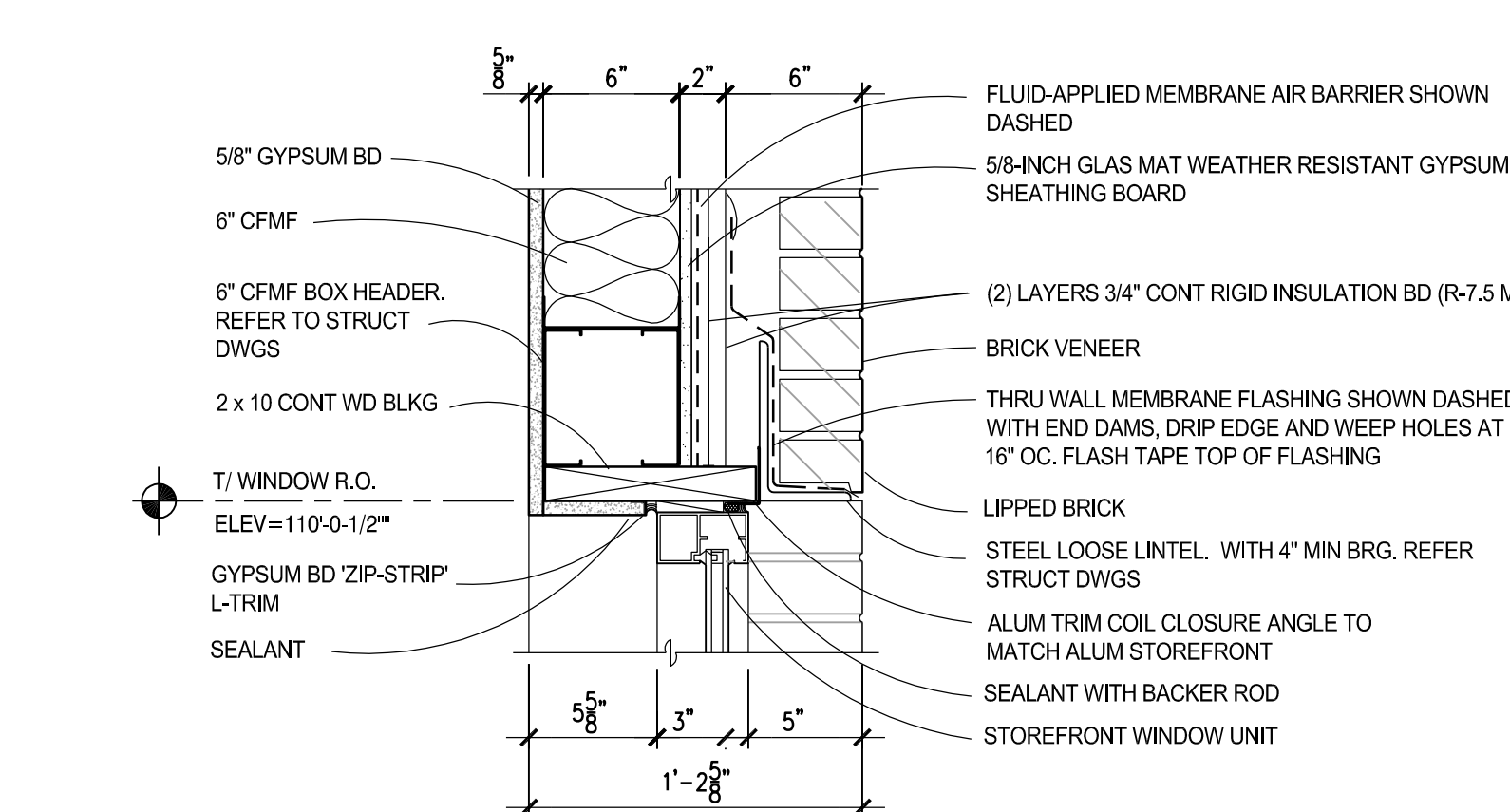
8 DETAIL  
SCALE: 1-1/2"=1'-0"



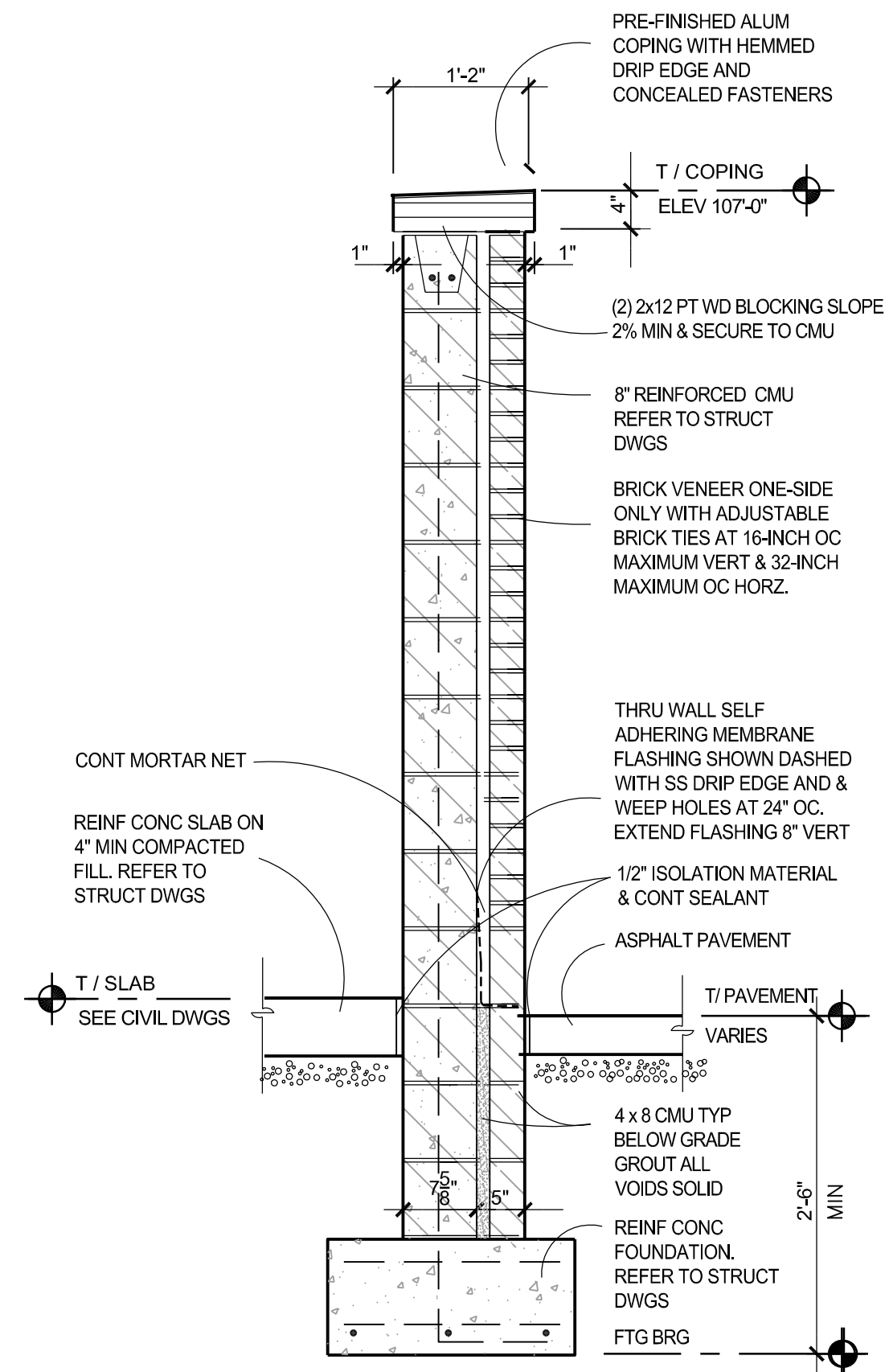
4 DETAIL  
SCALE: 1-1/2"=1'-0"



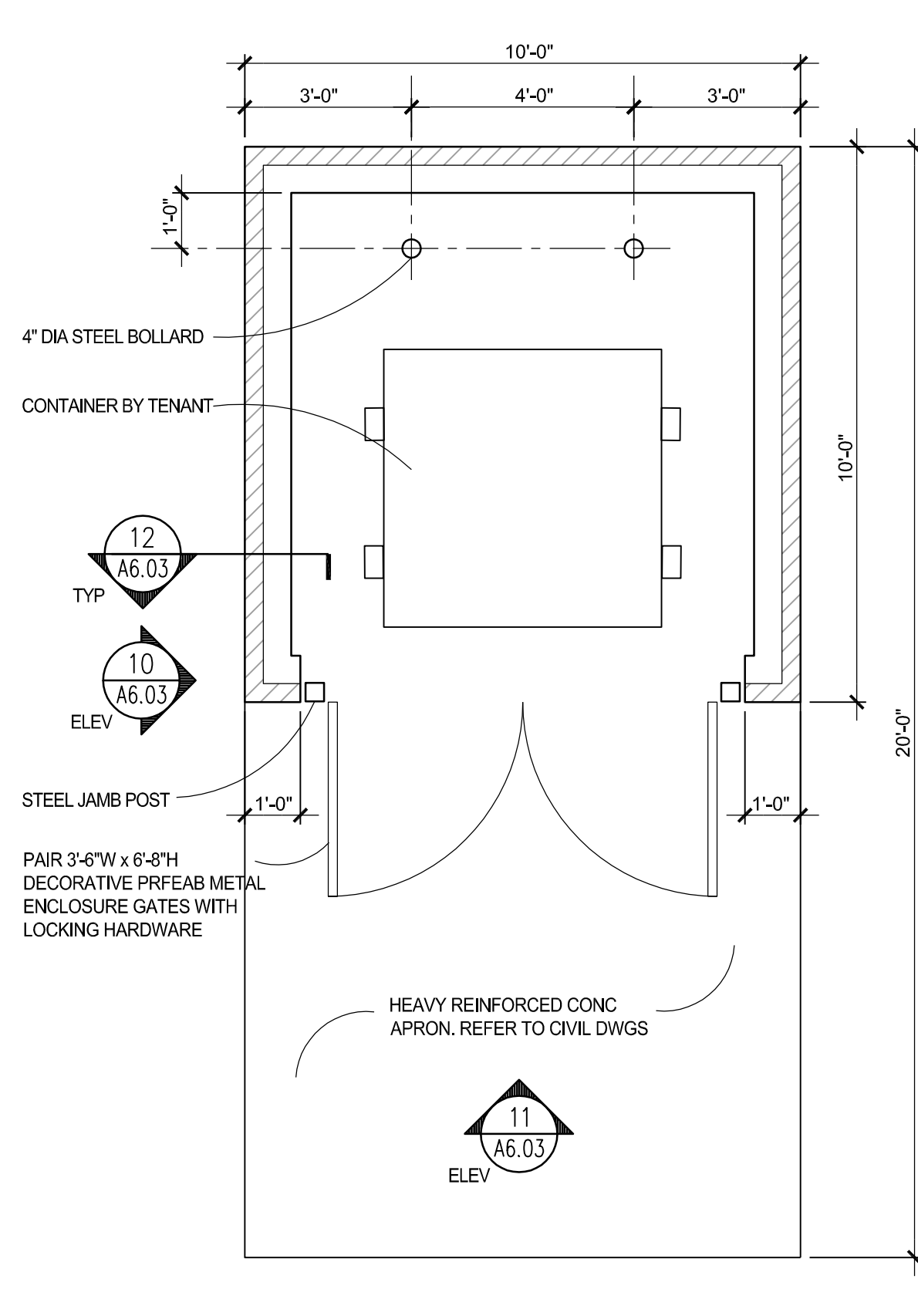
7 DETAIL  
SCALE: 1-1/2"=1'-0"



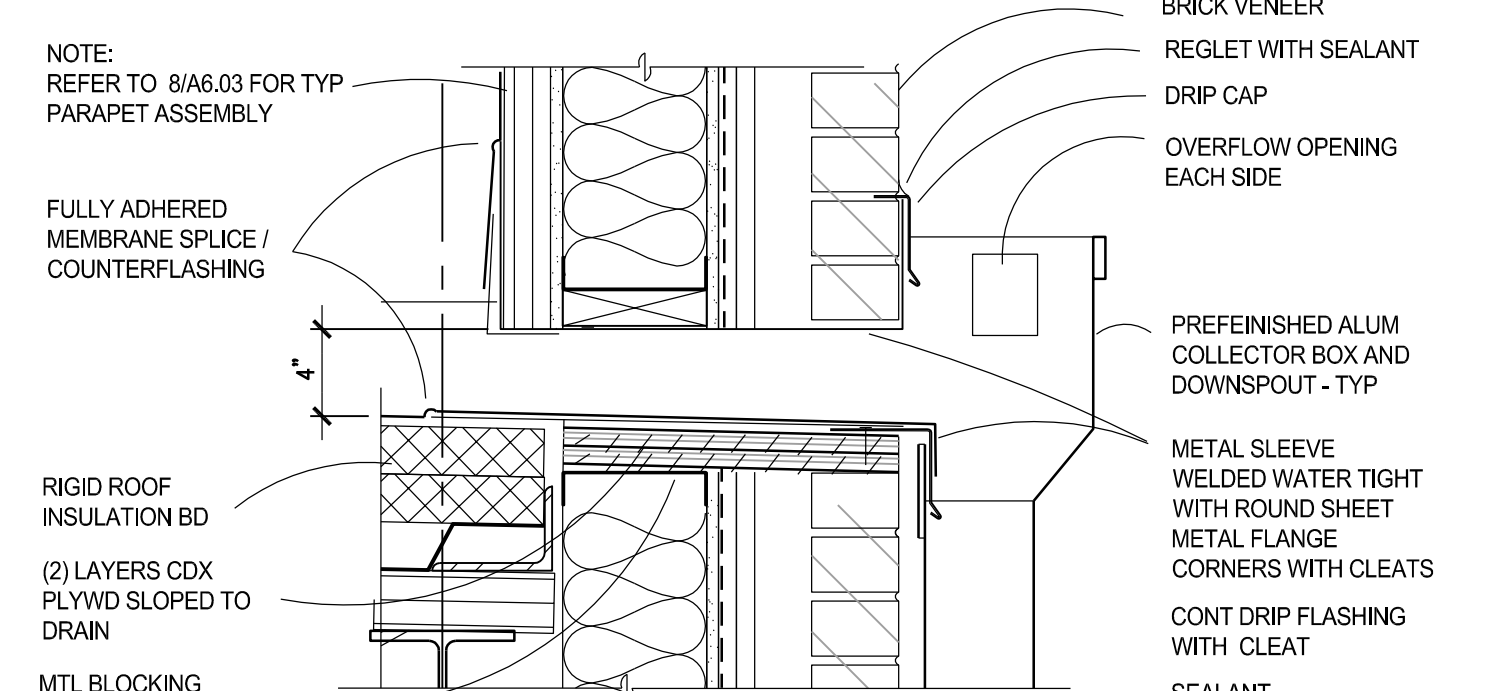
3 DETAIL  
SCALE: 1-1/2"=1'-0"



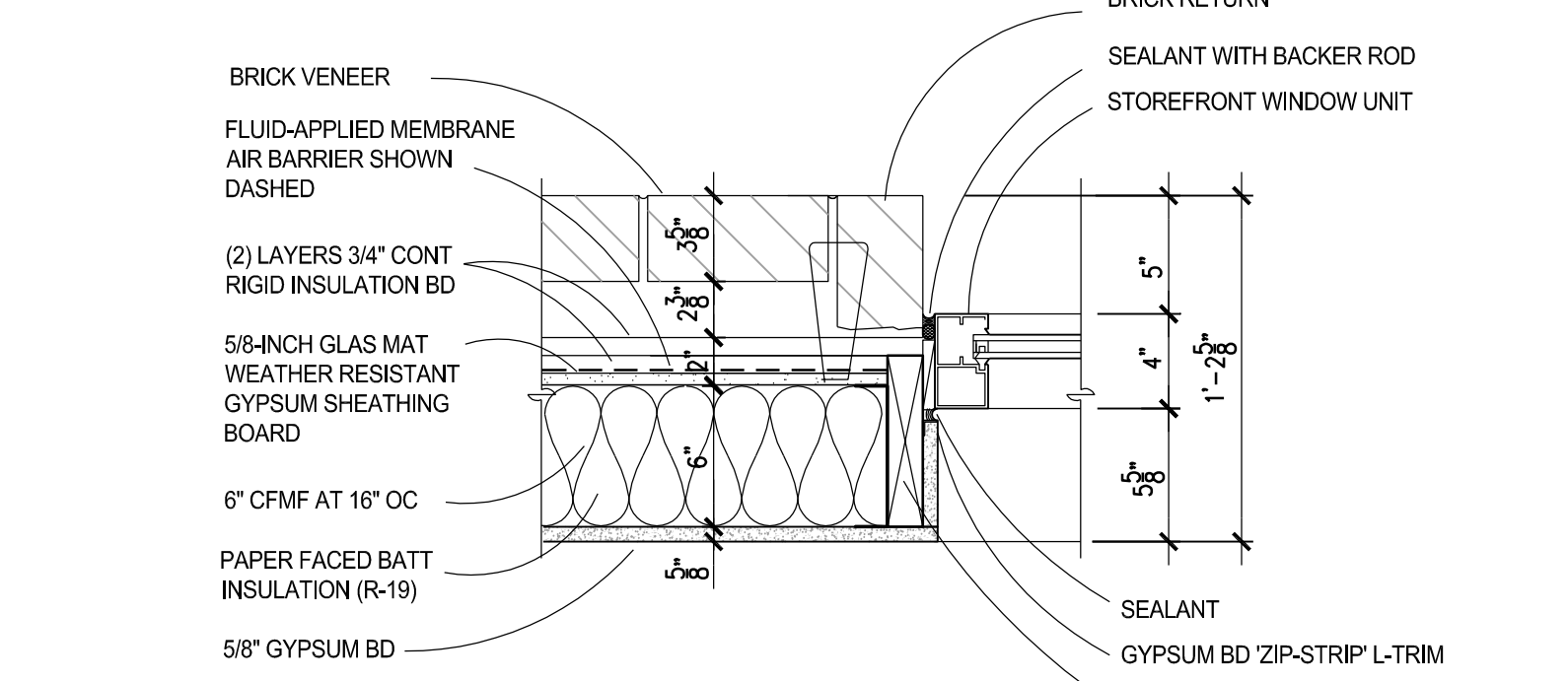
12 WALL SECTION  
SCALE: 3/4"=1'-0"



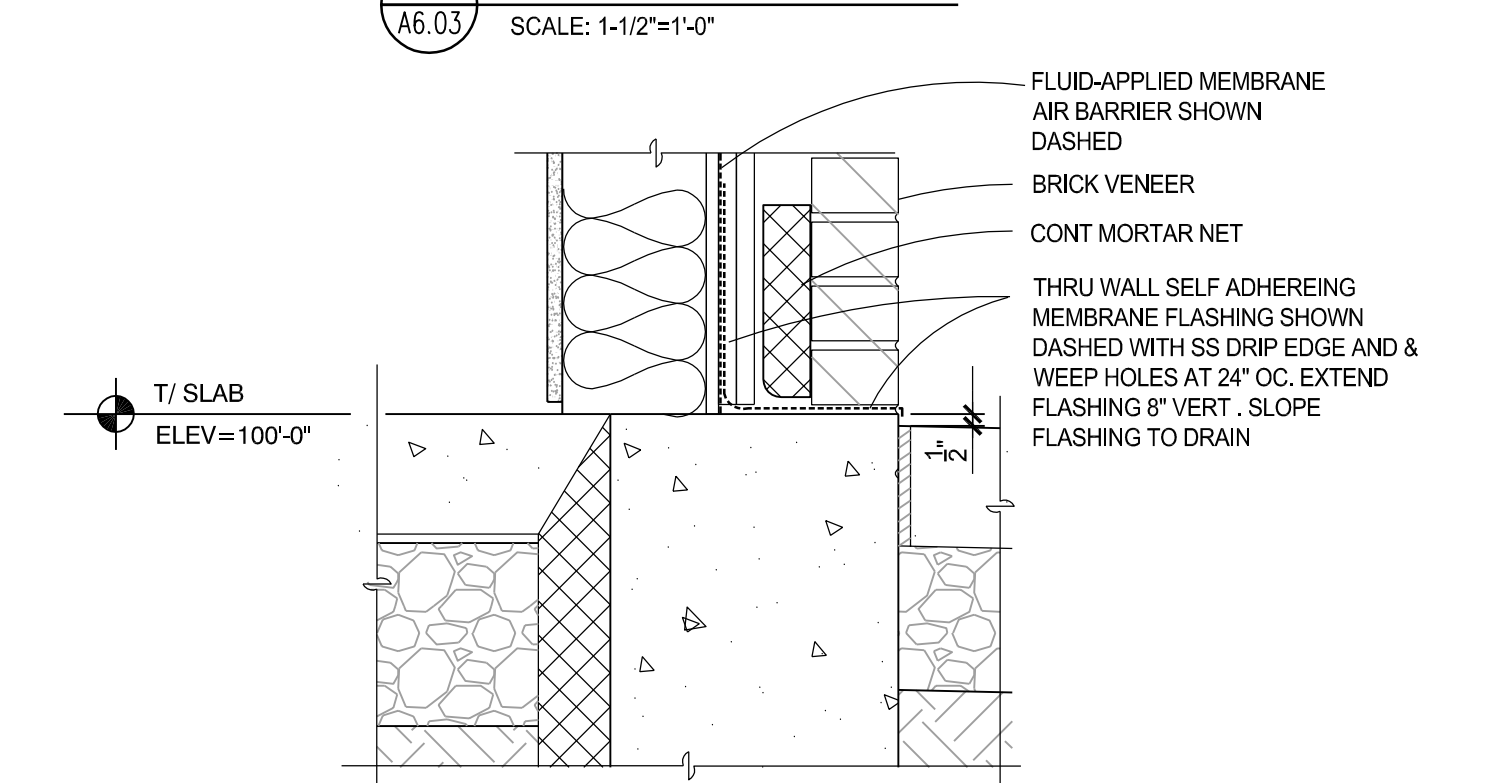
9 DUMPSTER PLAN  
SCALE: 3/8"=1'-0"



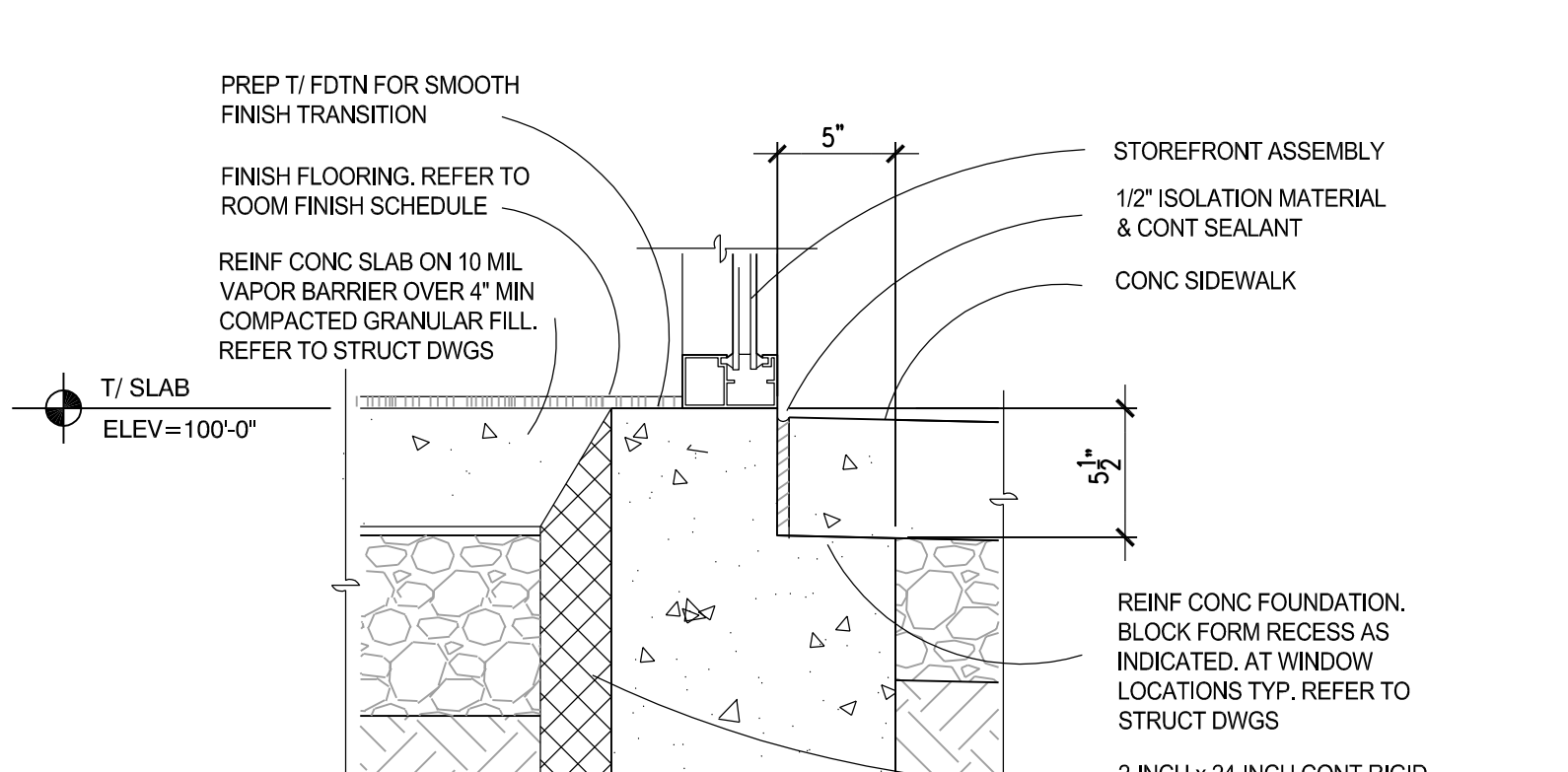
6 DETAIL  
SCALE: 1-1/2"=1'-0"



2 DETAIL  
SCALE: 1-1/2"=1'-0"



5 DETAIL  
SCALE: 1-1/2"=1'-0"



1 DETAIL  
SCALE: 1-1/2"=1'-0"

**PRELIMINARY**  
NOT FOR CONSTRUCTION  
THIS DOCUMENT IS ISSUED FOR DESIGN REVIEW ONLY

**PHOENIX**  
ARCHITECTURE  
6475 Kenwood Road, Suite 13  
Cincinnati, Ohio 45242  
www.phoenixarch.com

PROPOSED BUILDING FOR  
**MATTRESSFIRM**  
7906 MONTGOMERY ROAD  
CINCINNATI, OHIO 45236

| ISSUE                 | DATE        |
|-----------------------|-------------|
| PRELIMINARY ISSUE     | 11 DEC 2015 |
| TENANT REVIEW         | 15 DEC 2015 |
| OWNER PLAN REVISIONS  | 27 JAN 2016 |
| PUD SUBMITTAL         | 02 FEB 2016 |
| FINAL TENANT DRAWINGS | 15 FEB 2016 |

COPYRIGHT: PHOENIX ARCHITECTURE, LLC  
PROJ. MANAGER: JW / TM  
JOB NO. 008827.01

DETAILS  
**A6.03**