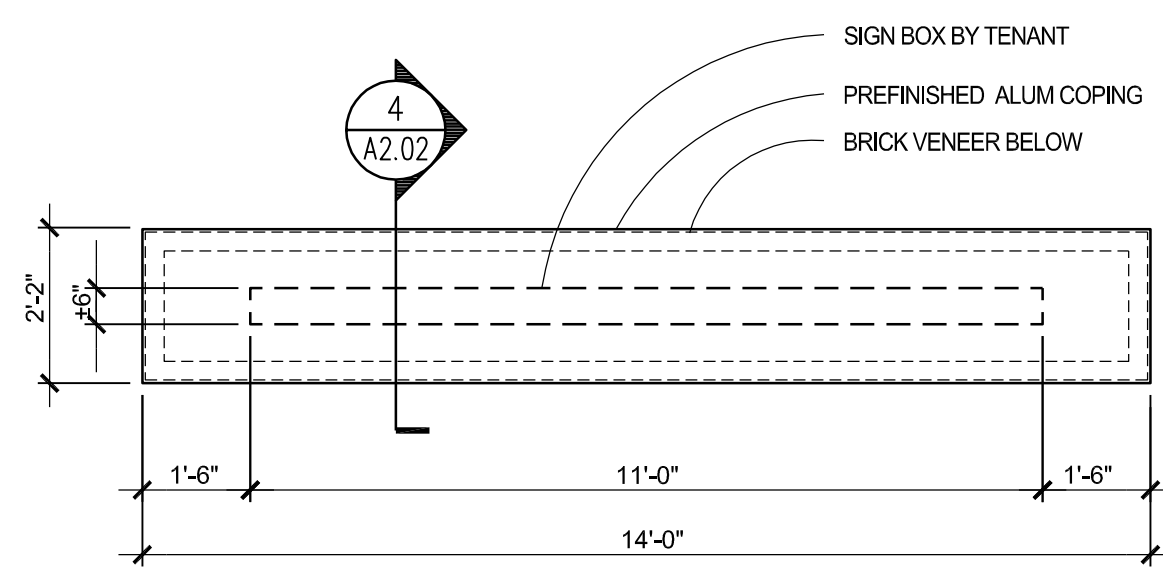




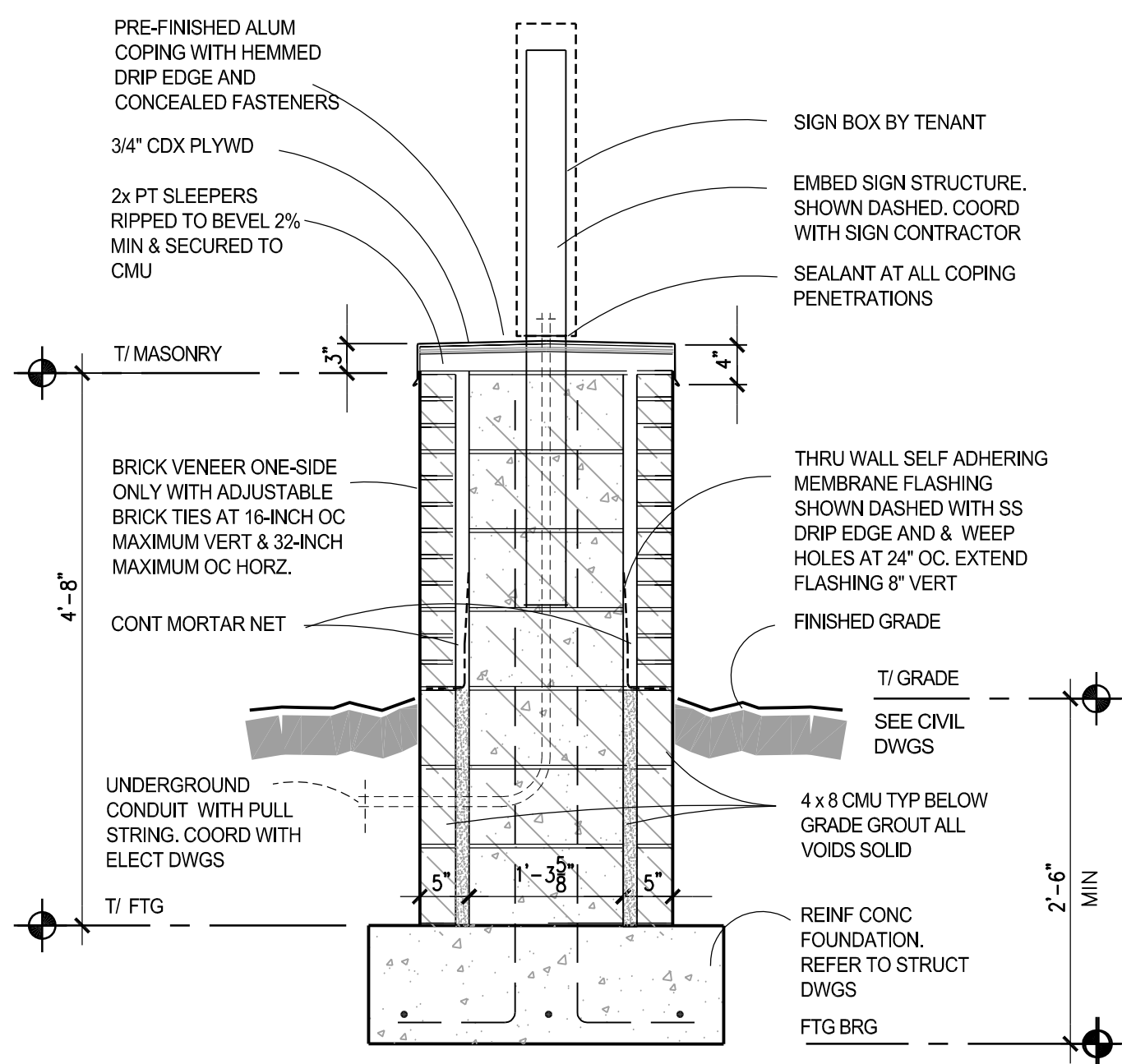
SIGNAGE STRUCTURE
REFER TO SITE PLAN FOR LOCATION

6 FRONT ELEVATION
SCALE: 3/8"=1'-0"

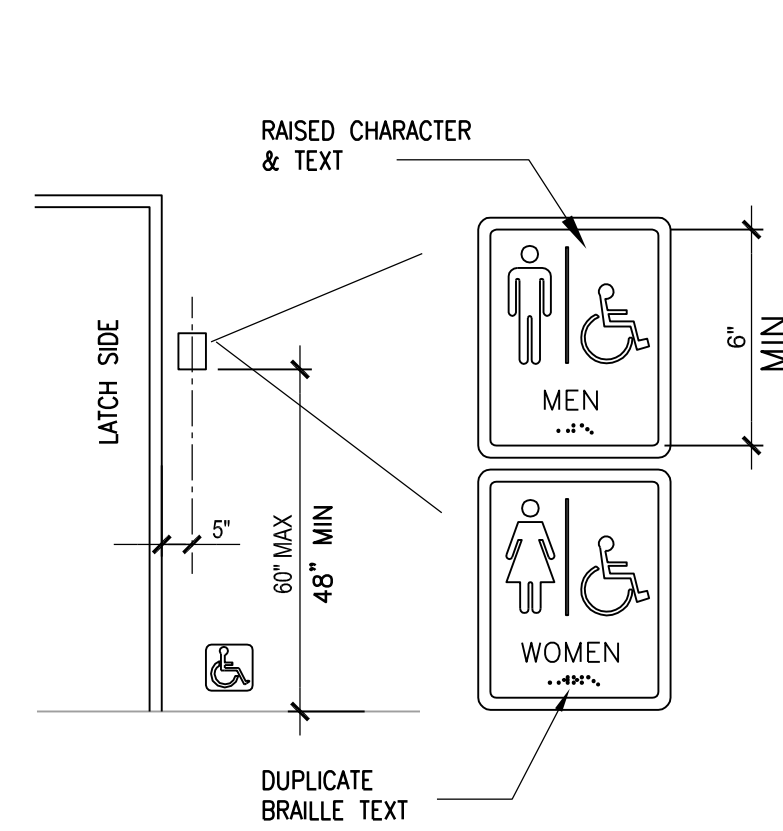


SIGNAGE STRUCTURE
REFER TO SITE PLAN FOR LOCATION

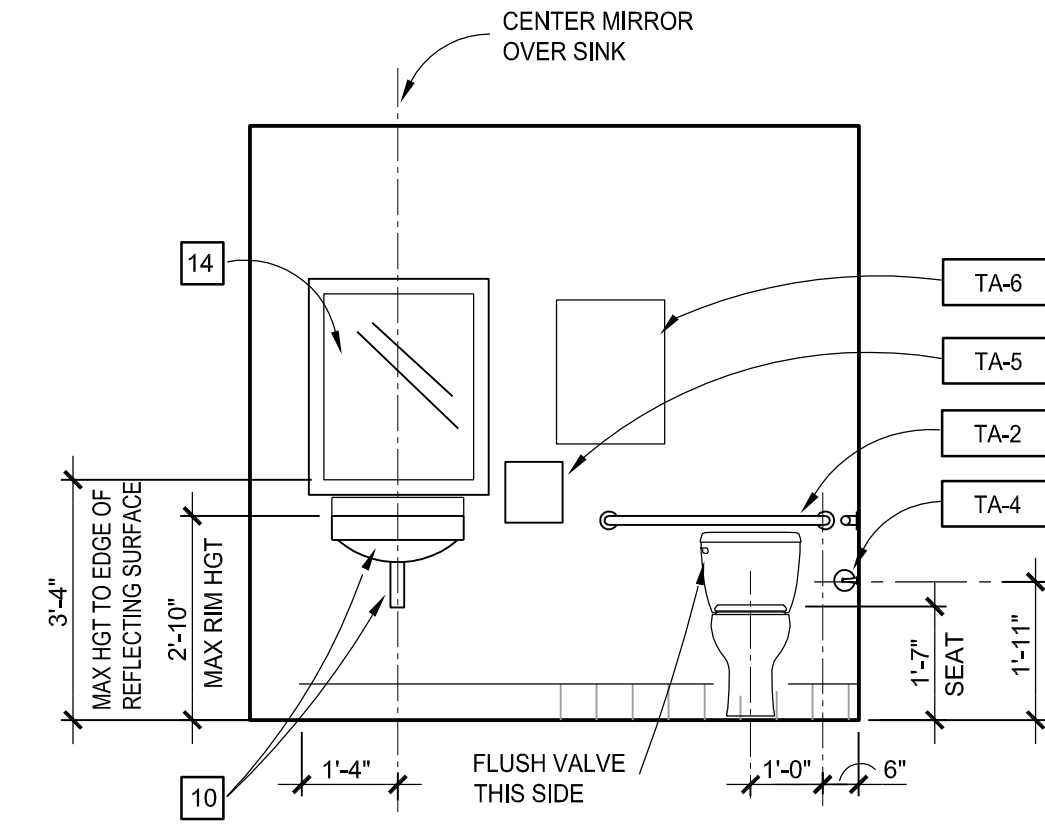
5 SIGN PLAN
SCALE: 3/8"=1'-0"



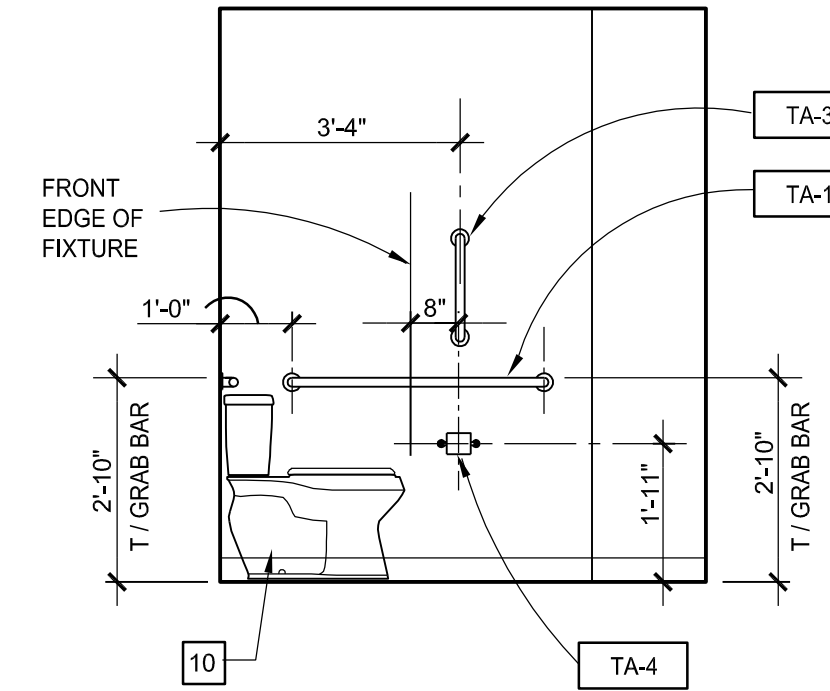
4 ENLARGED FLOOR PLAN
SCALE: 3/8"=1'-0"



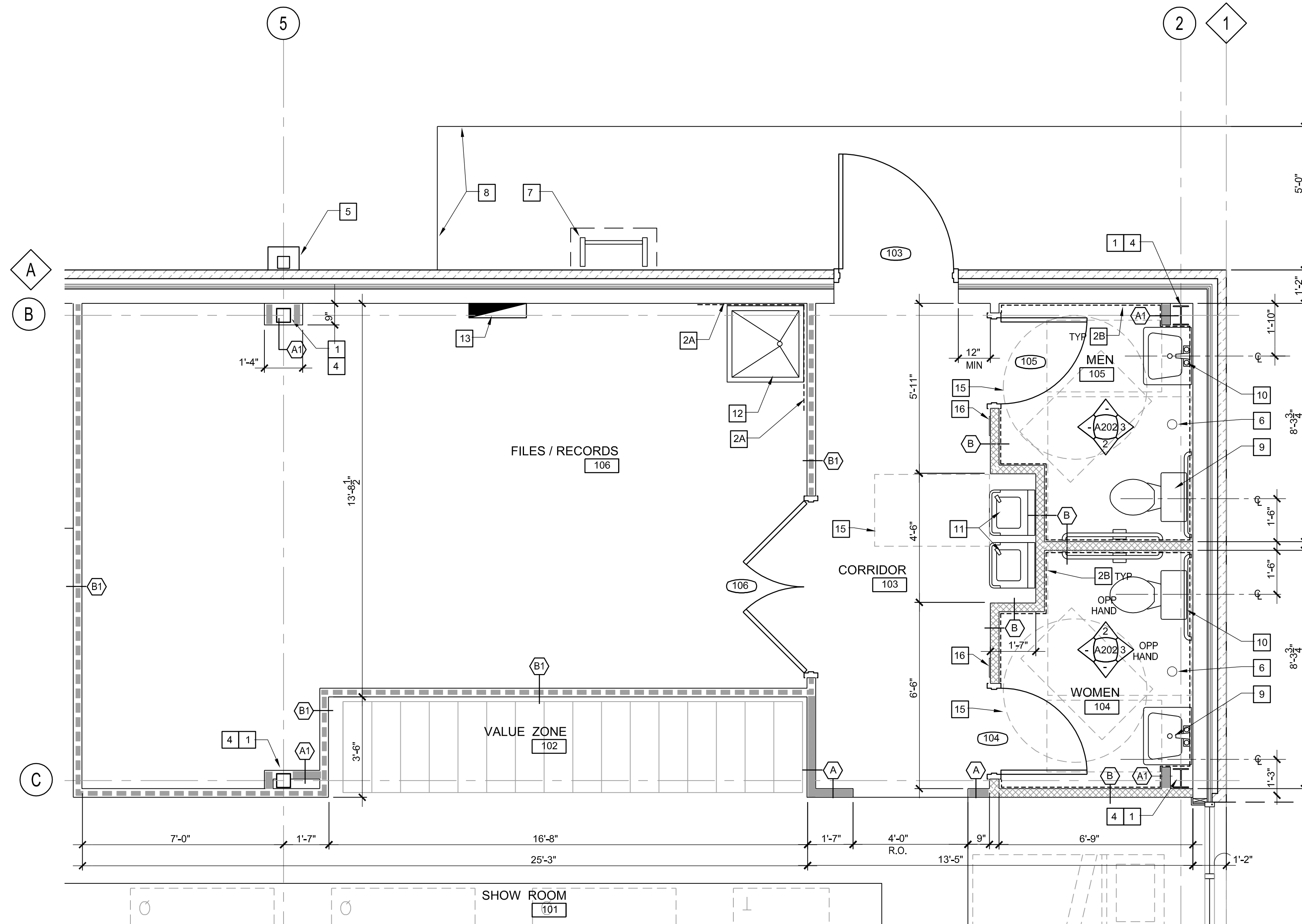
7 ELEVATION
SCALE: 3/8"=1'-0"



3 ELEVATION
SCALE: 3/8"=1'-0"



2 ELEVATION
SCALE: 3/8"=1'-0"



1 ENLARGED FLOOR PLAN
SCALE: 3/8"=1'-0"

Floor Plan General Notes

A. REFER TO DWG A2.01 FOR TYPICAL FLOOR PLAN GENERAL NOTES

Construction / Plan Notes

- 1 STRUCTURAL STEEL COLUMN - REFER TO STRUCT DWGS
- 2A 48-INCH HIGH FRP WALL MOUNTED WAINSCOT PANEL & EXTEND 12-INCHES HORZ BEYOND FIXTURE. REFER TO ROOM FINISH SCHEDULE
- 2B 54-INCH HIGH FRP WALL MOUNTED WAINSCOT PANEL TYP THROUGHOUT ROOM. REFER TO ROOM FINISH SCHEDULE
- 3 5/8" GYP BD ON 3-5/8" CFMF PARTITION HOLD TIGHT TO STRUCTURAL COLUMN. MINIMIZE PARTITION DEPTH.
- 4 HOLD PARTITION TIGHT TO STRUCTURAL COLUMN. MINIMIZE PARTITION DEPTH
- 5 8" x 8" ALUM DOWNSPOUT CONNECT TO UNDERGROUND STORM WATER DETENTION. REFER TO CIVIL DWGS
- 6 FLOOR DRAIN. SLOPE BATHROOM FLOOR 2% TO DRAIN. REFER TO PLUMBING DWGS.
- 7 ROOF ACCESS LADDER WITH SECURITY GATE
- 8 CONC SIDEWALK. REFER TO CIVIL DWGS
- 9 FLOOR MOUNT ACCESSIBLE TOILET WITH FLUSH HANDLE AT OPEN SIDE. SEAT HEIGHT AT 17" TO 19" AFF. REFER TO PLUMBING DWGS
- 10 WALL MOUNTED ACCESSIBLE SINK WITH LEVER HANDLES. PROVIDE INSULATED COVER AT EXPOSED TRAP & HOT WATER SUPPLY. REFER TO PLUMBING DWGS
- 11 ADA COMPLIANT ELECTRIC DUAL LEVEL WATER COOLER. REFER TO PLUMBING DWGS
- 12 MOP SINK WITH HOSE TREADED FAUCET SPOUT. REFER TO PLUMBING DWGS
- 13 ELECTRIC LOAD CENTER. REFER TO ELECTRIC DWGS
- 14 30" x 36" H SURFACE MOUNTED MIRROR WITH POLISHED EDGES ON CONCEALED CLIPS.
- 15 DASH LINE DENOTES ACCESSIBLE CLEAR FLOOR MANEUVERING SPACE
- 16 ADA COMPLIANT SIGNAGE - REFER TO ELEVATION 7/A2.02

Toilet Accessory Schedule

ITEM NO.	EQUIPMENT CATEGORY	REMARKS
TA-1	42" GRAB BAR SURFACE MTD.	SECURE TO 2x6 SOLID NON-COMBUSTIBLE WD BLKG TO SUPPORT 250 LB FORCE APPLIED ALL DIRECTIONS AT ANY POINT
TA-2	36" GRAB BAR SURFACE MTD.	
TA-3	15" GRAB BAR SURFACE MTD.	
TA-4	TOILET PAPER ROLL HOLDER	DISPENSER PROVIDED BY TENANT
TA-5	SOAP DISPENSER - WALL MTD	DISPENSER PROVIDED BY TENANT
TA-6	MOTION ACTIVATED PAPER TOWEL DISPENSER	DISPENSER PROVIDED BY TENANT
TA-7	CLOTHES HOOK	SECURE TO BACK OF DOOR

Key to Plan Symbols

ROOM NAME	DETAIL SHEET NUMBER
ROOM NAME AND NUMBER	INTERIOR ELEVATIONS (MULTIPLE)
DOOR / FRAME NUMBER SEE DOOR SCHEDULE	ELEVATION NUMBER
PARTITION TYPE TAG	ELEVATION NUMBER
CONSTRUCTION NOTE TAG	INTERIOR ELEVATION TAG
ELEVATION NUMBER	DETAIL SHEET NUMBER
EXTERIOR ELEVATIONS	DETAIL NUMBER
DETAIL SHEET NUMBER	WALL SECTION TAG
DRAWING REVISION TAG	DETAIL SHEET NUMBER
LOCATION ELEV XXX'	SEMI RECESSED FIRE EXTINGUISHER CABT (FEC)
	WALL MOUNTED FIRE EXTINGUISHER (FE)

PRELIMINARY
NOT FOR CONSTRUCTION
THIS DOCUMENT IS ISSUED FOR DESIGN REVIEW ONLY

PHOENIX ARCHITECTURE
9479 Kenwood Road, Suite 13
Cincinnati, Ohio 45242
www.phoenixarch.com

PROPOSED BUILDING FOR
MATTRESS FIRM
7906 MONTGOMERY ROAD
CINCINNATI, OHIO 45236

ISSUE DATE

PRELIMINARY ISSUE	11 DEC 2015
TENANT REVIEW	15 DEC 2015
OWNER PLAN REVISIONS	27 JAN 2016
PUD SUBMITTAL	02 FEB 2016
FINAL TENANT DRAWINGS	15 FEB 2016

COPYRIGHT: PHOENIX ARCHITECTURE, LLC
PROJ MANAGER: JW / TM
JOB NO. 008827.01
ENLARGED PLANS
A2.02