



North Elevation
Revised Scale: 1/16" = 1'-0"


Sycamore Township
 Planning & Zoning

 ZONE CASE NUMBER: **2021-18MI**
MINOR PUD ADJUSTMENT
 APPROVAL DATE: **11/24/2021**

PRIMARY ELECTRIC LOCATION:
(1) 120v / 20amp Dedicated circuit with Junction Box Located Near Maintenance Door Required for Installation....

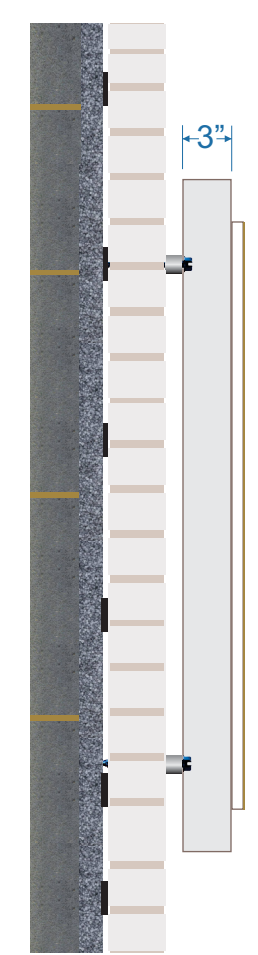
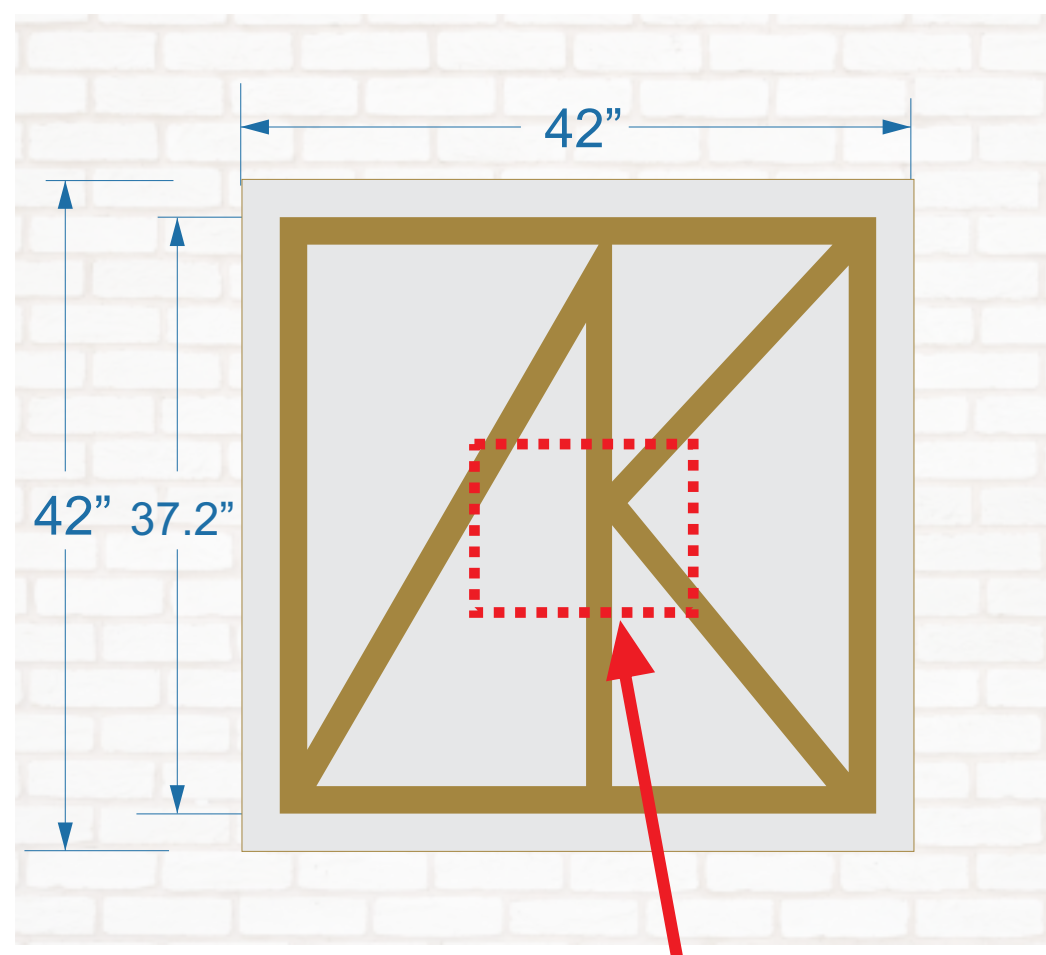


East Elevation
Revised Scale: 1/16" = 1'-0"

Lowered Sign and Reduced It's Size

Sign A Qty: (1)

Side View



*20 Amp Circuit Required By Others - Qty TBD

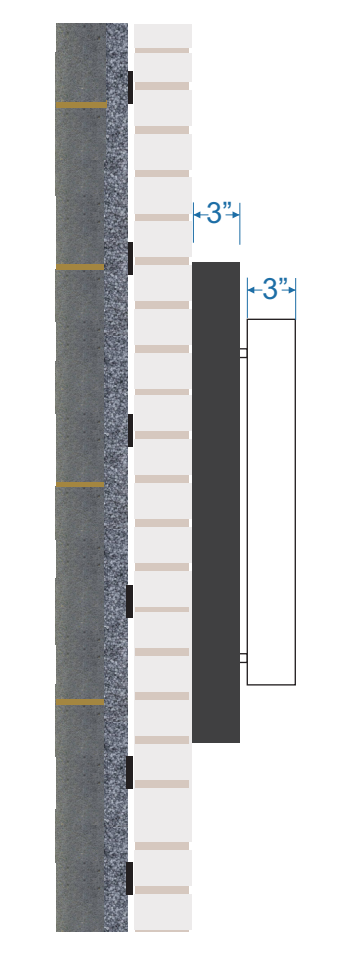
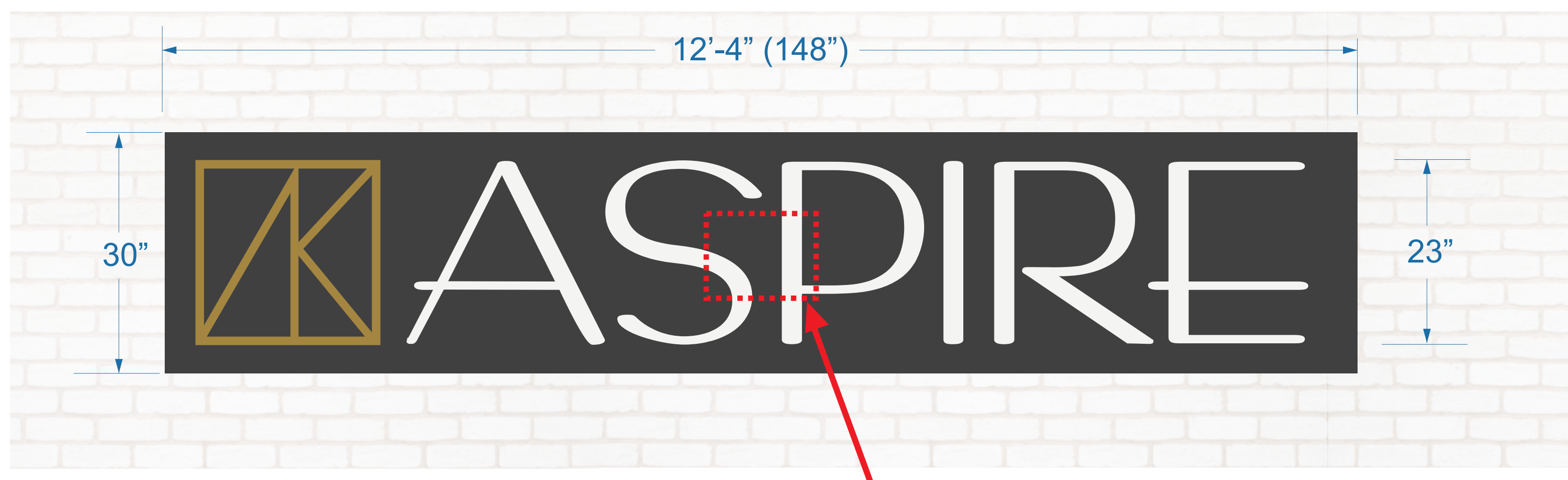
Scale: 1" = 1'-0"

Reverse Illuminated Logo Module with Push Thru Acrylic Logo Installed on an Existing Brick Wall

PRIMARY ELECTRIC LOCATION:
(1) 120v / 20amp Dedicated circuit with Junction Box Located on the Exterior Wall Required for Installation....

Sign E Qty: (1)

Side View

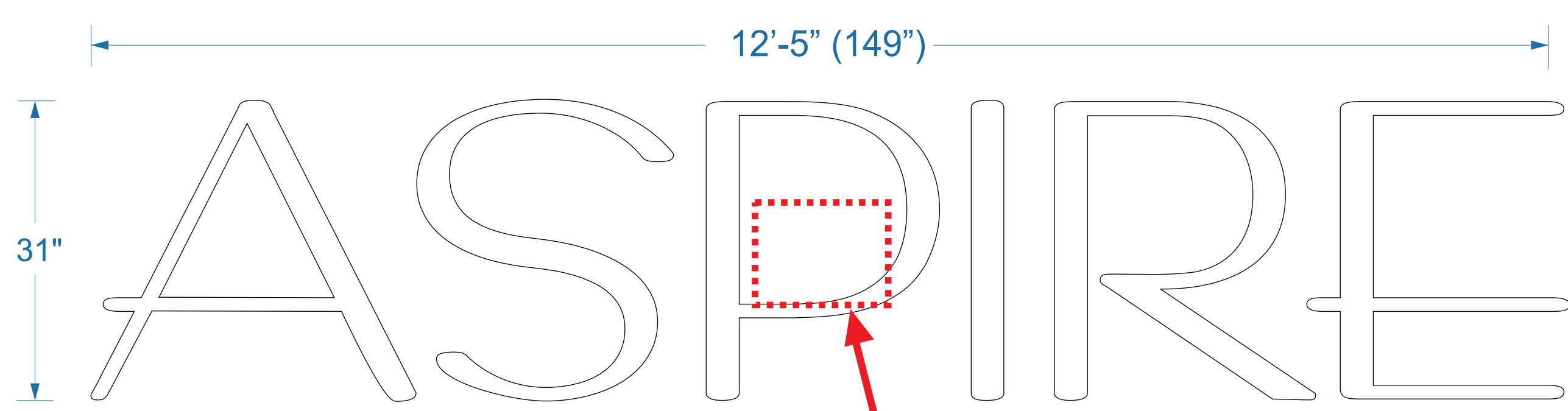


Scale: 1" = 1'-0"

LED Illuminated Reverse Channel Letters Mounted to an Aluminum Wire way Installed on an Existing Brick Wall. Graphic Logo is Push-Thru Acrylic

PRIMARY ELECTRIC LOCATION:
(1) 120v / 20amp Dedicated circuit with Junction Box Located on the Exterior Wall Required for Installation....

*20 Amp Circuit Required By Others - Qty TBD



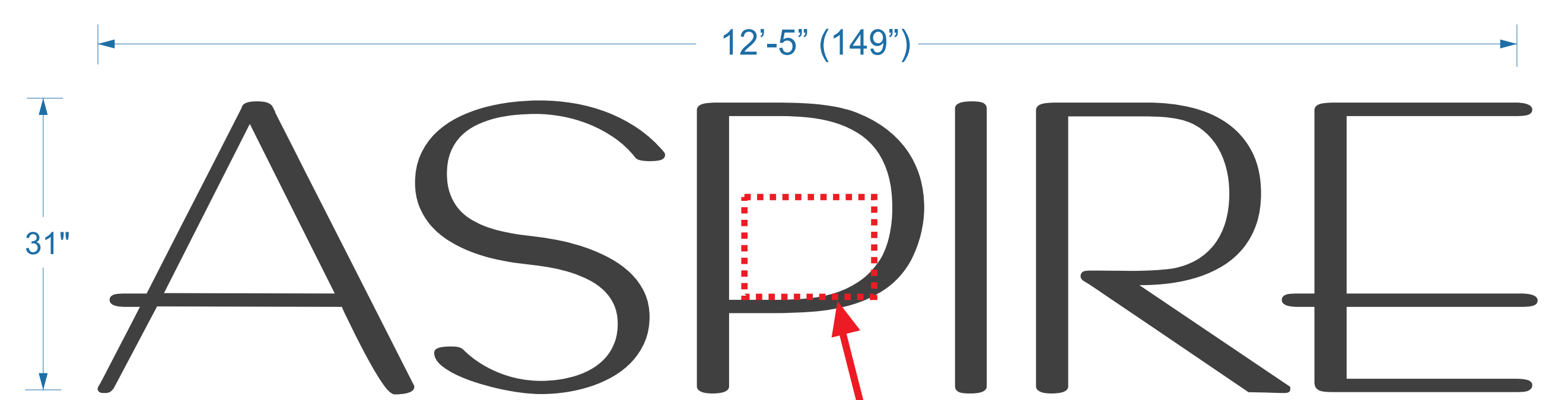
Scale: 1" = 1'-0"

Sign B

LED Illuminated Reverse Channel Letters Flush Mounted Installed on The Existing Fascia.
PRIMARY ELECTRIC LOCATION:
Access Behind the Exterior Wall Required for Installation.
(1) 120v / 20amp Dedicated circuit with Junction Box Located Behind the Exterior Wall within 10 feet of Sign Required for Installation....

*Blocking Required By Others

*20 Amp Circuit Required By Others - Qty TBD



Scale: 1" = 1'-0"

Sign D

LED Illuminated Reverse Channel Letters Flush Mounted Installed on The Existing Fascia.
PRIMARY ELECTRIC LOCATION:
Access Behind the Exterior Wall Required for Installation.
(1) 120v / 20amp Dedicated circuit with Junction Box Located Behind the Exterior Wall within 10 feet of Sign Required for Installation....

*Blocking Required By Others

*20 Amp Circuit Required By Others - Qty TBD



*Blocking Required By Others

*20 Amp Circuit Required By Others - Qty TBD

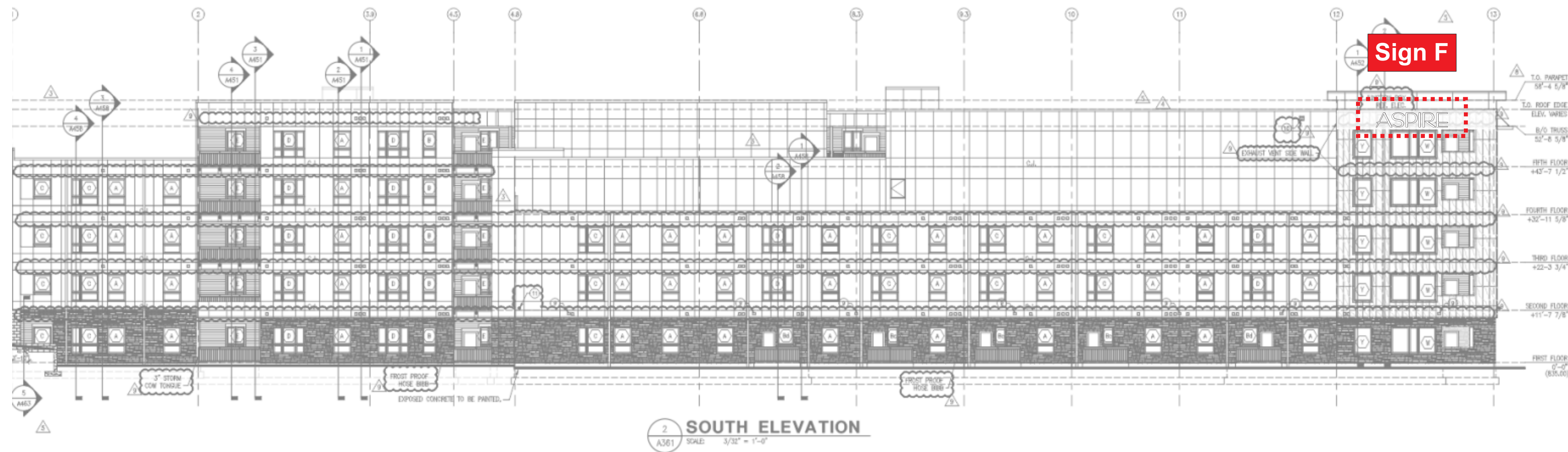
Color Specs	
	MP18248 Gaspipe Grey Metallic - Backer Panel on Sign E "ASPIRE" Letters for D and C
	White - "ASPIRE" Letters on Sign B & E
	MP1342SP Brushed Aluminum - Background on Logo Module and Background on Canopy Sign

Sign C

LED Illuminated Reverse Channel Letters Mounted to an Aluminum Backer Installed on a Canopy

PRIMARY ELECTRIC LOCATION:
(1) 120v / 20amp Dedicated circuit with Outdoor Waterproof Junction Box Located within 10 feet of Sign Required for Installation....
Scale: 3/4" = 1'-0"

Canopy Provided by Others



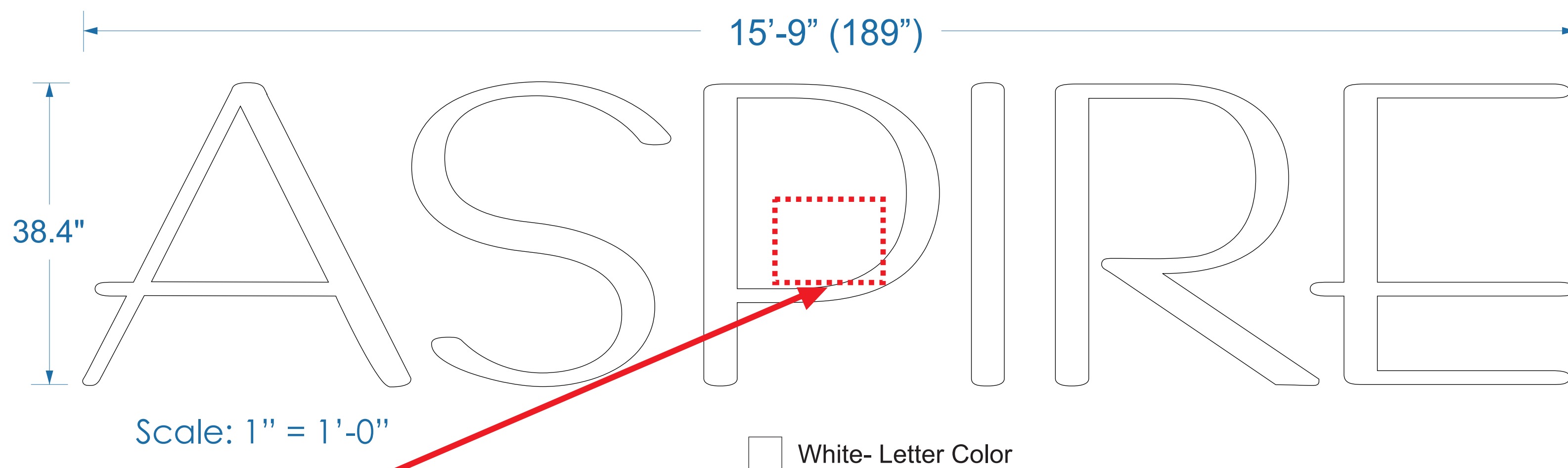
Revised Scale: 1/16" = 1'-0"

Sign F

LED Illuminated Reverse Channel Letters Mounted to an Aluminum Wire way Installed on an Existing Brick Wall

PRIMARY ELECTRIC LOCATION:

Access Behind the Exterior Wall Required for Installation. (1) 120v / 20amp Dedicated circuit with Junction Box Located Behind the Exterior Wall within 10 feet of Sign Required for Installation...



Sign G

Aluminum Projection Sign with Illuminated Acrylic Push Thru Letters
Scale: 1" = 1'-0"

Blocking By Others

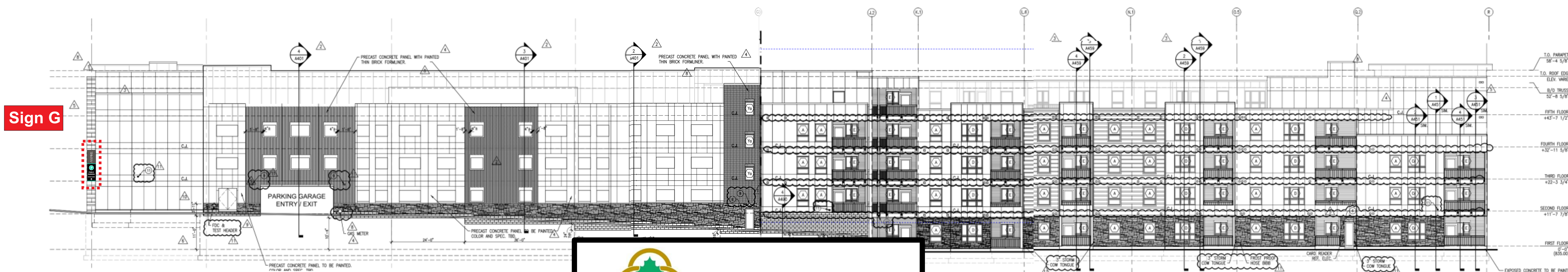
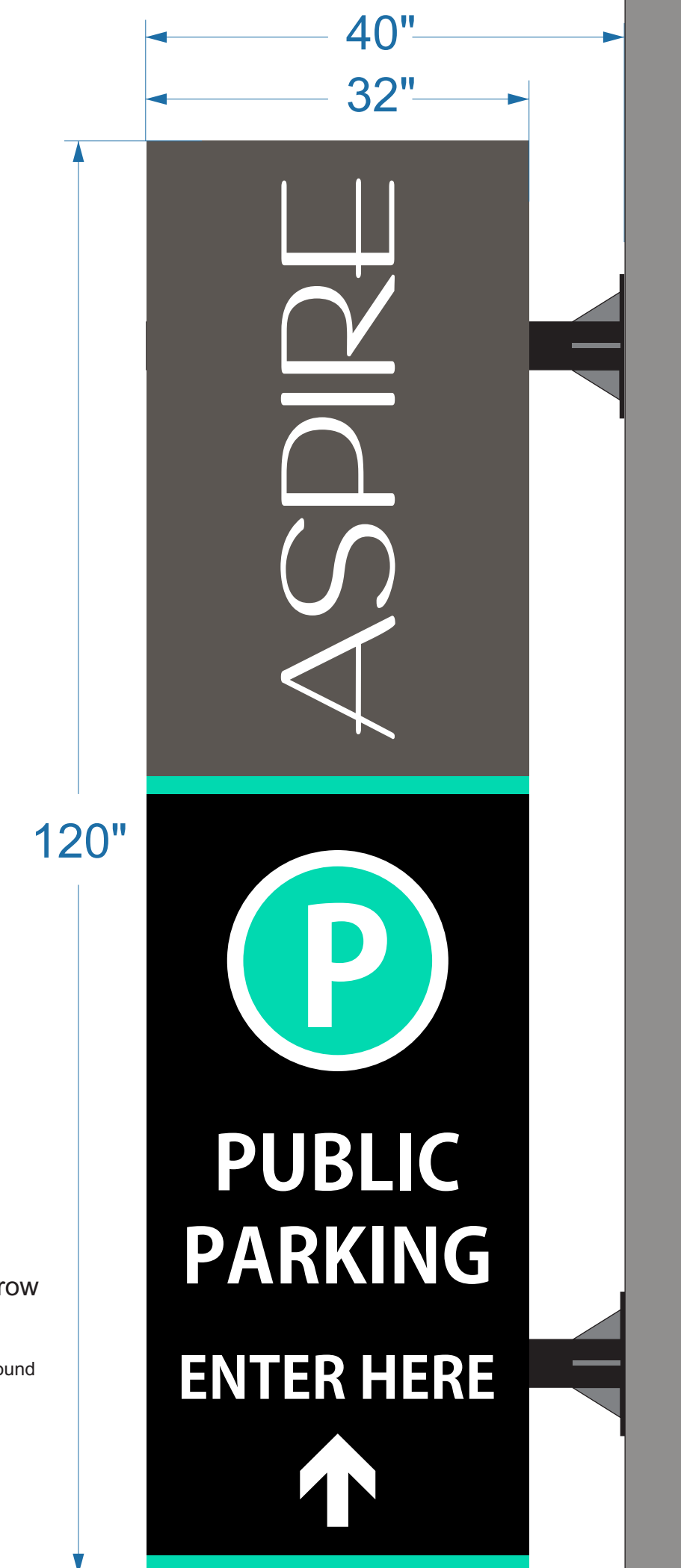
*20 Amp Circuit Required By Others - Qty TBD

PRIMARY ELECTRIC LOCATION:

See North Elevation for J-Box Location on Page 1

Color Specs

- Teal
- White - "Public Parking" "Enter Here" Letters, Arrow
- MP18248 Gaspice Grey Metallic - Background
- "ASPIRE" Letters White
- Black - Background for Parking Sign



Revised Scale: 1/16" = 1'-0"



Sycamore Township
Planning & Zoning

SYCAMORE TOWNSHIP

ZONE CASE NUMBER: **2021-18MI**

MINOR PUD ADJUSTMENT

APPROVAL DATE: **11/24/2021**

ARTWORK APPROVED

CIG Properties
GALLERY AT KENWOOD

Specifications:

Furnish & Install New Wall Signs

Signature _____ Date _____
This drawing is submitted for your exclusive use. In connection with a proposal being prepared by ABC Signs, Inc. It is not to be shared with anyone outside your organization. For it to be used, reproduced, copied or printed in any fashion without the expressed permission of ABC Signs, Inc.

Client: _____
Scale: 1" = 1'-0" 1/16" = 1'-0"
Date: 1-6-2020
Location: Cincinnati, OH KENWOOD

